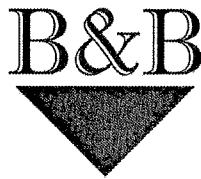


CAD Drawing

Quote # SQDA010567_1

B&B Wood Products

26555 Richmond Rd
 Driveway "Force Indoor Sports"
 Bedford Heights, OH 44146-1488



www.bbwood.com

ROGUE VALLEY
 Door

Entered By: Cathy Zadanko cathy@bbwood.com

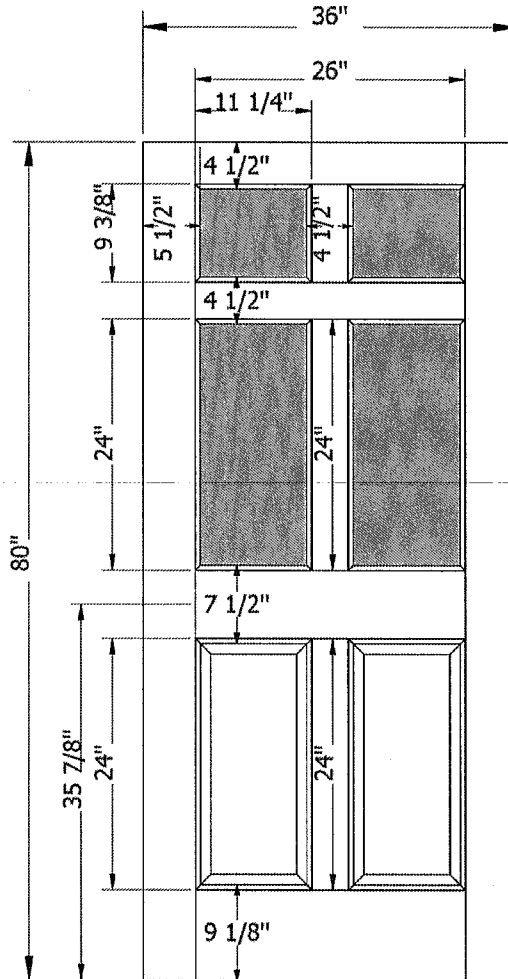
1/9/2024

Door Info

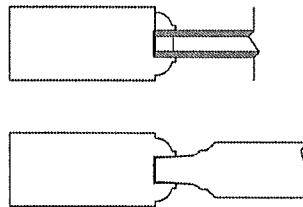
Thickness	1-3/4
Pattern	4130G
Species	DF
Width	3/0
Height	6/8
Stile	5-1/2
Sticking	Mod Ovolo Sticking
Top Rail	4 1/2
Bottom Rail	9 1/8
Glass Type	IG W/Film
Panel Type	1-3/8 HRP
Rogue Premium	Premium 1/4 Veneer

Additional Details

Door Model - 4130, Replace Panels
 With Glass-(Panel Rows 1-2), Glass
 Thickness 5/8", Premium 1/4" Veneer
 Stiles & Rails, Stile and Rail
 Dimensions Includes 1/2" Sticking
 Width, Extended Lead-Time



- Interior View -



P-1008746-1

All images are interior view

Est Weight: 88

Our Valued Customer

B&B

Page 2 of 2

Botzum Brothers Hardware - Cleveland

Quote

26801 Richmond Road
Cleveland, OH 44146
Tel: 216-672-0636 Fax: 216-672-0602

Quote # : 1031858
Quote Date : Dec 7, 2023
Expiration Date : Feb 2, 2024

Customer:
Cleveland Counter Sales
26701 Richmond Rd
Bedford Heights, OH 44146

Ship To:
Counter Sales - Walk-In
26301 Richmond Road
Bedford Heights, OH 44146

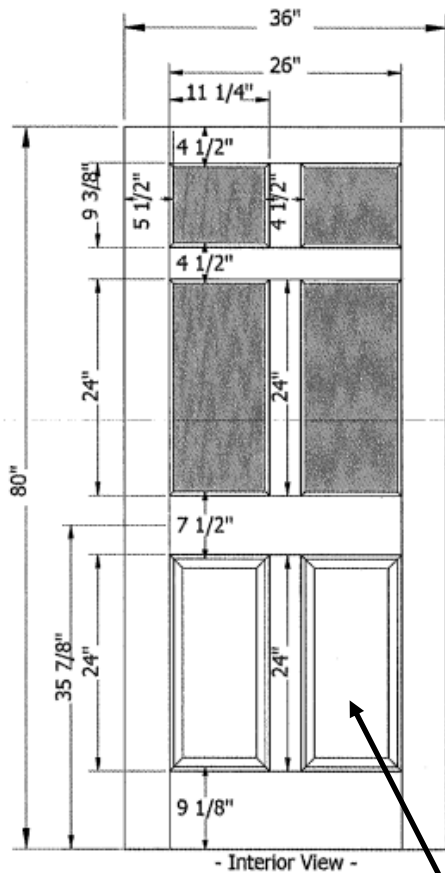
Account Code : 34717
Terms : COD
Customer Job # :
Salesperson : Ken Guffin
Order Name : Temple Beth Shalom

Purchase Order # :
Shipped Via :

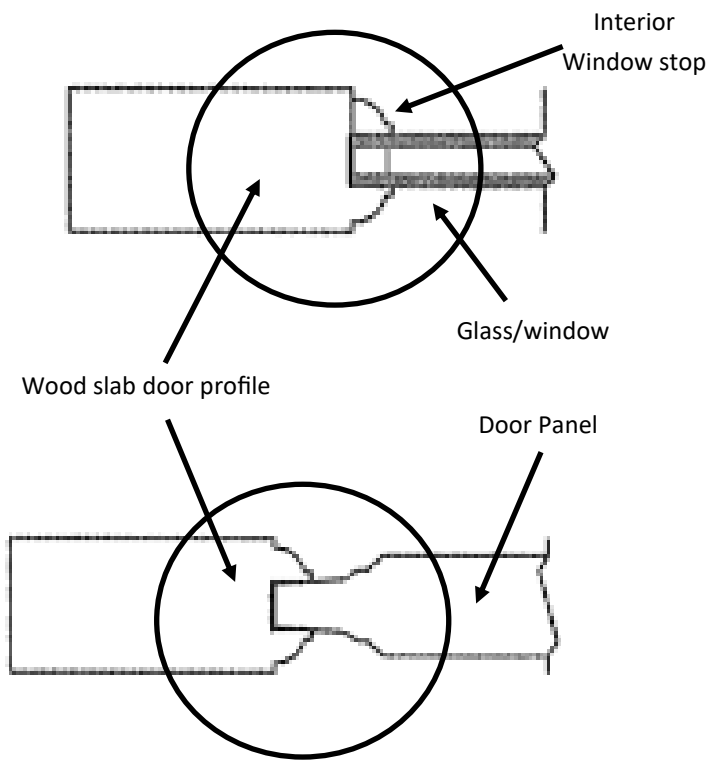
<u>Qty</u>	<u>Product Description</u>	<u>Unit Price</u>	<u>Extended Price</u>
1	Saddle Threshold 412S 36" MIL	29.54	29.54
1	Door Bottom 750S-N 36" CLR	12.59	12.59
1	Jamb Weatherstrip 891S V 1 x 36" 2 x 84" MIL	25.44	25.44
1	Closer 1461 RWPA AL	188.50	188.50
1	Exit Device 25-R-EO US32D	447.95	447.95
1	Electronic Lock CO-100-CY-70-KP-RHO LHR 626	780.07	780.07
1	3068 1 3/4 Fir Prehung Unit 3068 1 3/4 FIR PREHUNG UNIT 7 1/4" Primed Jamb - 4 1/2" NRP US32D Hinges - No Threshold	3,850.00	3,850.00

Pre-Tax Total : 5,334.09
OHEX - OHIO EXEMPT : 0.00
Quote Total : 5,334.09

Concerns to consider between the security of a commercial wood door compared to a commercial steel door.

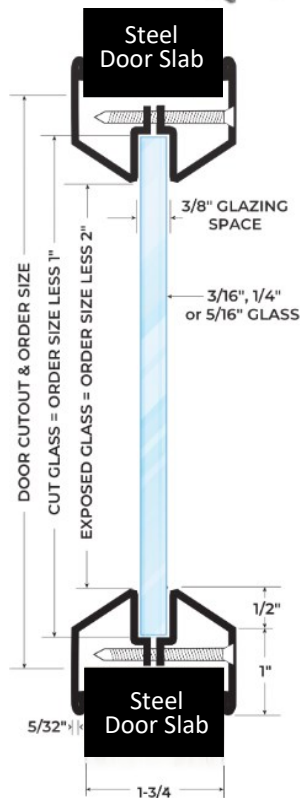


Below is the profile of the how a wood door glass is installed in a wood door. The glass is only held in by a stop that goes around the window frame creating a weak point for possible forced entry to push the entire window through and then allowing for reaching in to release the door and allow unauthorized access into the building.



Above is the profile of the how a wood door panels are installed in a wood door. The panel look is created by using separate pieces of wood resulting in thinner interconnections and weak points in the door slab. This creates multiple weak points for possible forced entry to push the entire panel through and allowing for reaching in to release the door and allow unauthorized access into the building.

Below is an example of the window frame that would be used in conjunction with a commercial steel door. The lite kit frame is designed as 2 full frames screwed together at several points creating a strong housing to hold the laminated glass into place rather than separate small pieces of stop used to hold glass in on a wood door window.



Below is an example of an embossed steel door. The door is solid and has various reinforcement points within the door for added security.



Additionally, using a steel frame will add additional strength as compared to a wood frame.