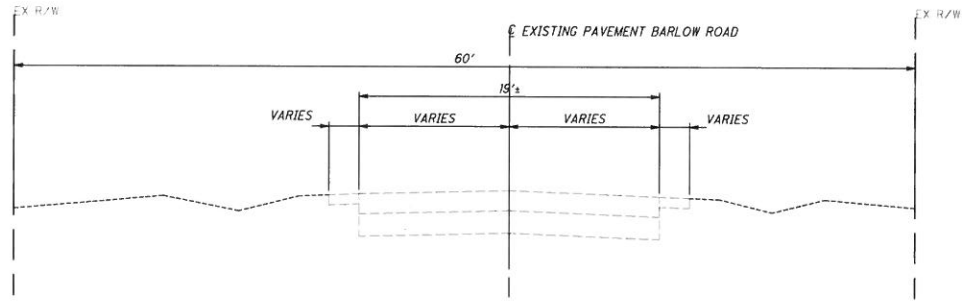
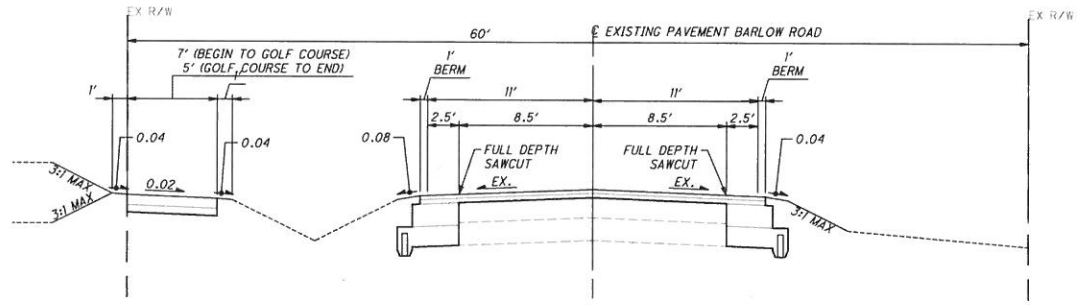


D:\2015\2015222\roadway\basemap\external\2015222\_Typ\_Alt1.dwg 12 - feb -15 1:24:48 PM



**BARLOW ROAD - EXISTING UNCURBED SECTION**



**ALTERNATE 1**

CALCULATED  
CHECKED

**TYPICAL SECTIONS - ALTERNATE 1**

**BARLOW ROAD**

