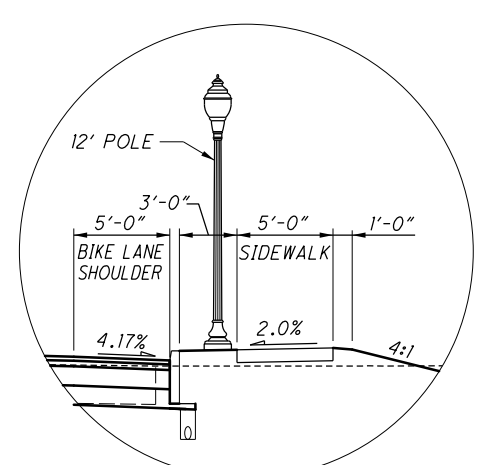


+ 4'-0" MIN. DITCH BOTTOM NEEDED FOR BMP TREATMENT CREDIT.  
++ 6'-0" WIDE SIDEWALK IN FRONT OF EXISTING RETAINING WALL STA. 386+20 TO STA. 387+38.  
\* REQUIRES DESIGN EXCEPTION APPROVAL.



TYPICAL SECTIONS - BIKE LANES W/ 8' SIDEWALK  
ALTERNATIVE A1 - SYMMETRICAL WIDENING

SUM-91-15.67

1  
TYP