

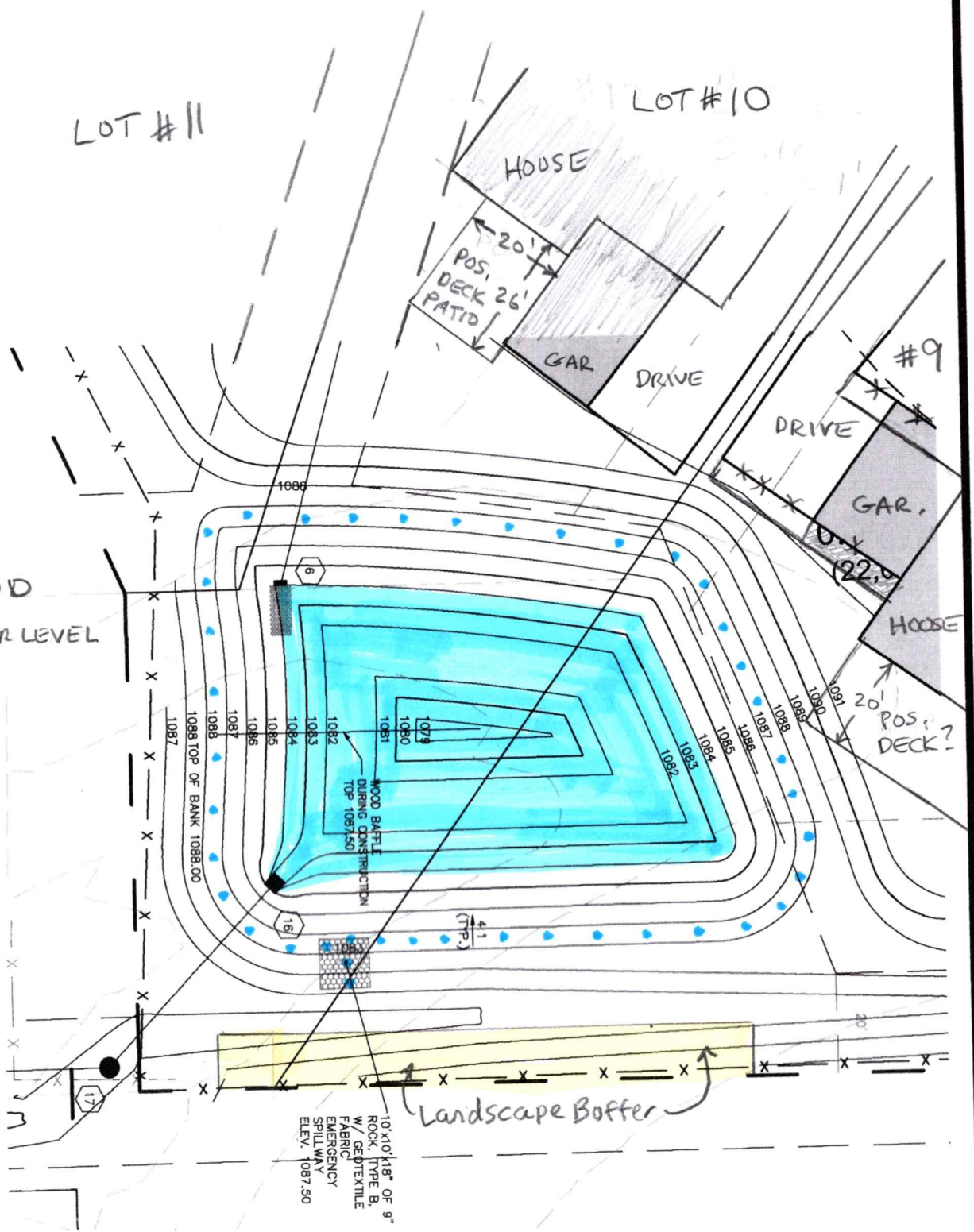
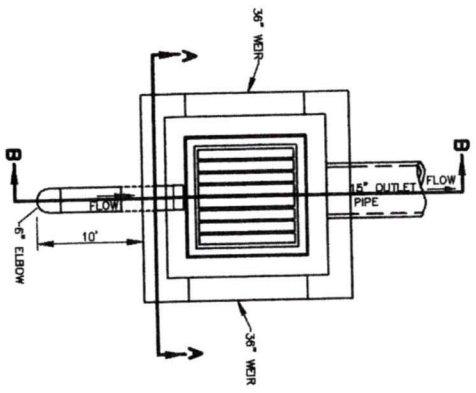
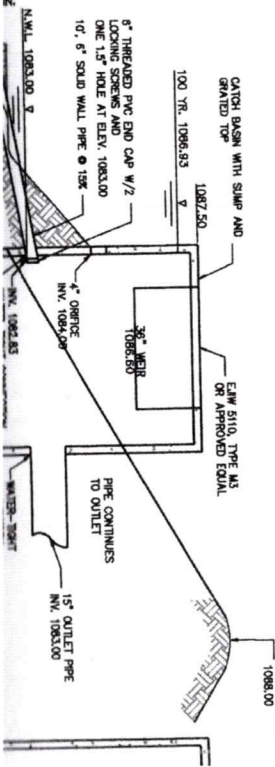
NORTH
 Scale
 .033" = 1'

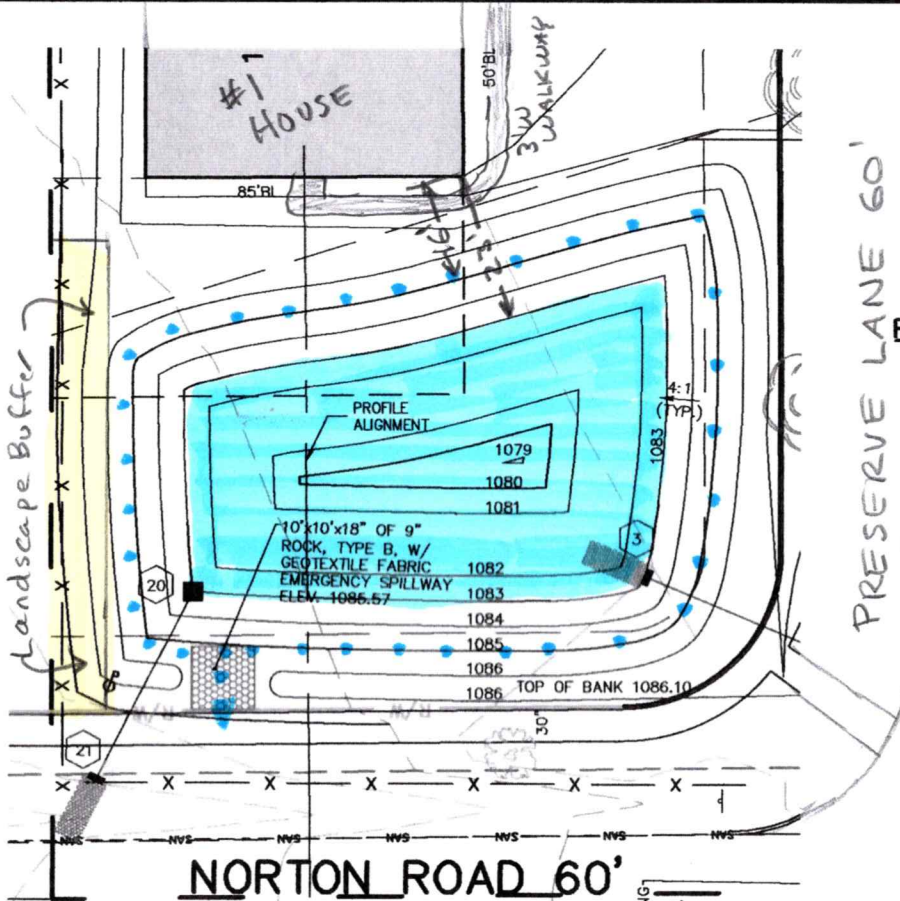
LOT #11

LOT #10

EAST POND

••••• = MAX WATER LEVEL





SOUTH POND
PRE-DEVELOPMENT FLOW

| | |
|----------|------------|
| 1 YEAR | = 0.31 cfs |
| 2 YEAR | = 0.51 cfs |
| 10 YEAR | = 1.14 cfs |
| 25 YEAR | = 1.61 cfs |
| 50 YEAR | = 2.03 cfs |
| 100 YEAR | = 2.49 cfs |

POND DRAINAGE AREA = 1.40 Ac.

ALLOWABLE FLOW

| | |
|------------------|------------|
| 1 YEAR - 25 YEAR | = 0.31 cfs |
| 50 YEAR | = 2.03 cfs |
| 100 YEAR | = 2.49 cfs |

POST DEVELOPMENT
POND OUTFLOW ELEVATIONS

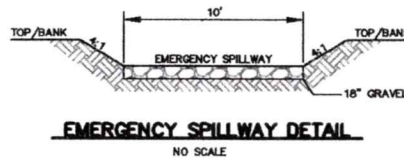
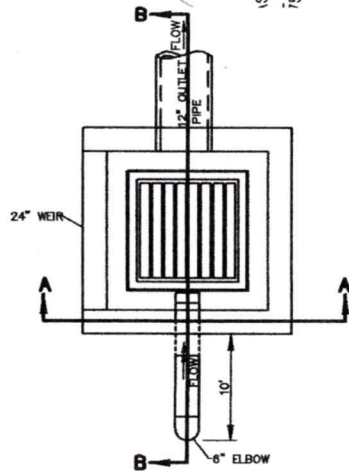
| | | |
|----------|------------|---------|
| 1 YEAR | = 0.04 cfs | 1083.58 |
| 2 YEAR | = 0.09 cfs | 1083.72 |
| 10 YEAR | = 0.22 cfs | 1084.26 |
| 25 YEAR | = 0.27 cfs | 1084.68 |
| 50 YEAR | = 0.77 cfs | 1084.87 |
| 100 YEAR | = 1.78 cfs | 1085.07 |

NORTH ↑

Scale

1:033"=1'

SOUTH POND



NORTON ROAD 60'

PROP. 1/2 HEADWALL
STA. 10+18.18, 138.29' LT.
TOP 1083.33
INV. 1082.83-12" N.E.

Landscape Buffer

••••• = Max Water Level

NORTH
Scale
.03" = 1'

Normal Water Level

PROP. BOND OUTLET
STA. 10+48.41, 122.71' LT.
TOP 1085.90
INV. 1083.00-12" S.W.

PROP. 1/2 HEADWALL
STA. 10+50.53, 51.55' LT.
TOP 1083.54
INV. 1083.04-12" S.E.

PROP. C.B.
STA. 10+33.82, 12.50' LT.
TOP 1086.44
INV. 1083.31-12" N.W. & E. 75.26'

SOUTH POND

PRESERVE LANE 60'

PROP. 16" X 8" TAPPING
SLEEVE & VALVE
STA. 9+74.82, 23.16' LT

25.01 L.F. PROP.
12" STM. @ 0.50%

50°22'30"E 250.00'

LOW POINT ELEV = 1086.21
LOW POINT STA = 10+33.82
PVI STA = 10+70.00
PVI ELEV = 1085.98
A.D. = 2.92%
K = 37.64
110.00 V.C.

HIGH POINT
HIGH POINT
PVI STA
PVI ELEV
A.D.
K

10

11

12

MEET EX.
STA. 10+09.37

