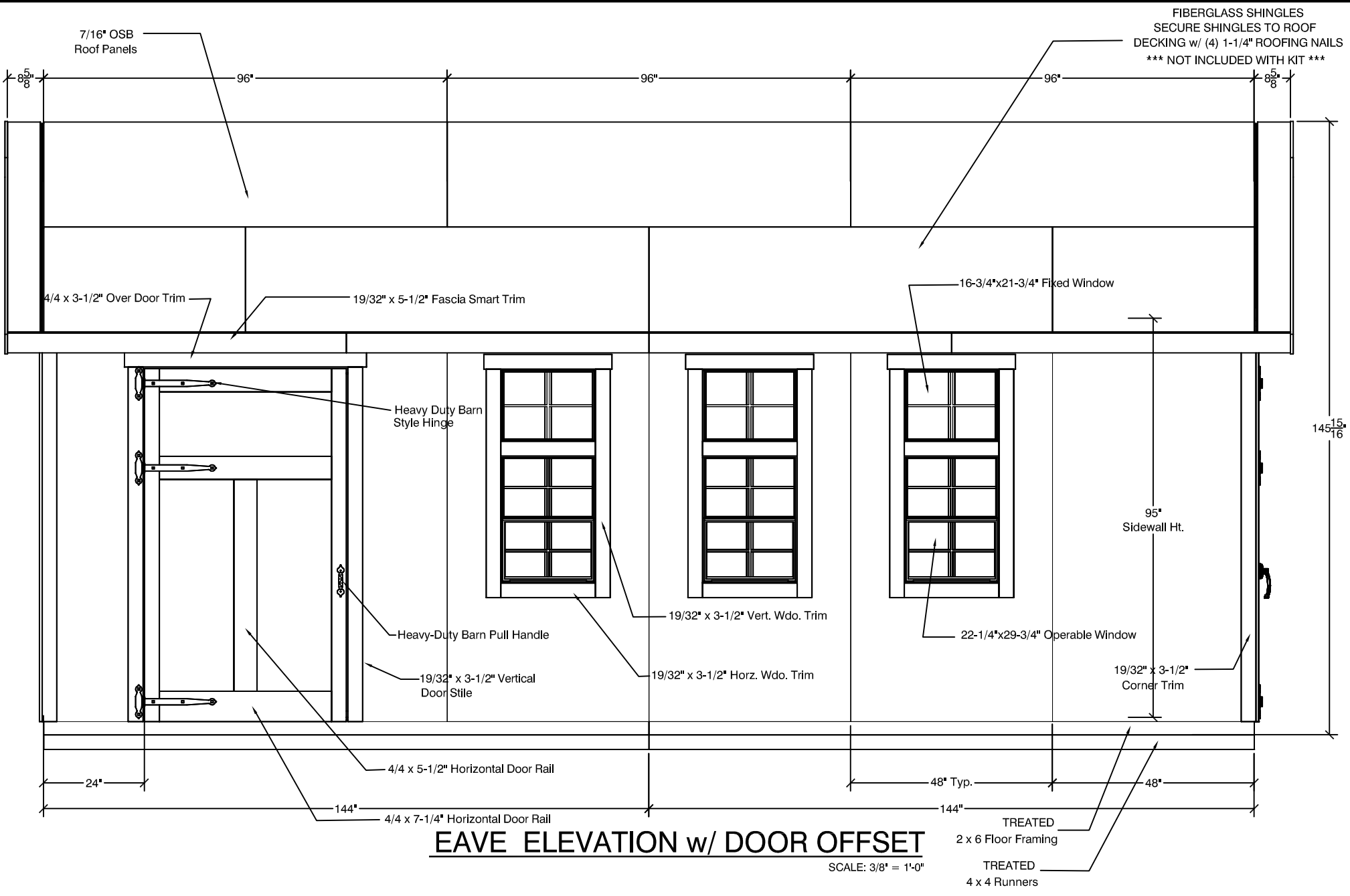


2537
 E NORTON RD. 60'

PLOT PLAN
 RE
 RESERVE TO
 (JOHN FOLLY)
 LOT # 11
 ARIZON NORTON EST. #2
 HUDSON, CHAS
 SCALE: 1" = 30'
 FEBRUARY 1960



ITEM # 33092 and 33815



12' x 24' Upton Shed
ELEVATIONS

SIZE A	ADDRESS 1000 Ternes Drive Monroe, MI 48162	DWG BY. Ken Sutter	Last Revision March 4, 2024
SCALE As Noted	(800) 221-1849	SHEET 1 of 11	

FIBERGLASS SHINGLES
 SECURE SHINGLES TO ROOF
 DECKING w/ (4) 1-1/4" ROOFING NAILS
 *** NOT INCLUDED WITH KIT ***

16-3/4"x21-3/4" Fixed Window

19/32" x 3-1/2" Horz. Wdo. Trim

19/32" x 3-1/2" Vert. Wdo. Trim

12
7

19/32" x 5-1/2" Fascia Trim

4/4 x 3-1/2" Over Door Trim

Heavy Duty Barn Style Hinge

4/4 x 3-1/2" Vertical Door Trim

4/4 x 3-1/2" Vertical Door Rail

3/8" No Groove
 Corner Trim

Heavy-Duty "L" Handle

3/8" thick No Groove
 SmartSide

1/8" Gap

4/4 x 5-1/2" Horizontal Door Rail

4/4 x 7-1/4" Horizontal Door Rail

TREATED
 2 x 6 Floor Framing

TREATED
 4x4 Runners

GABLE ELEVATION w/ DOORS

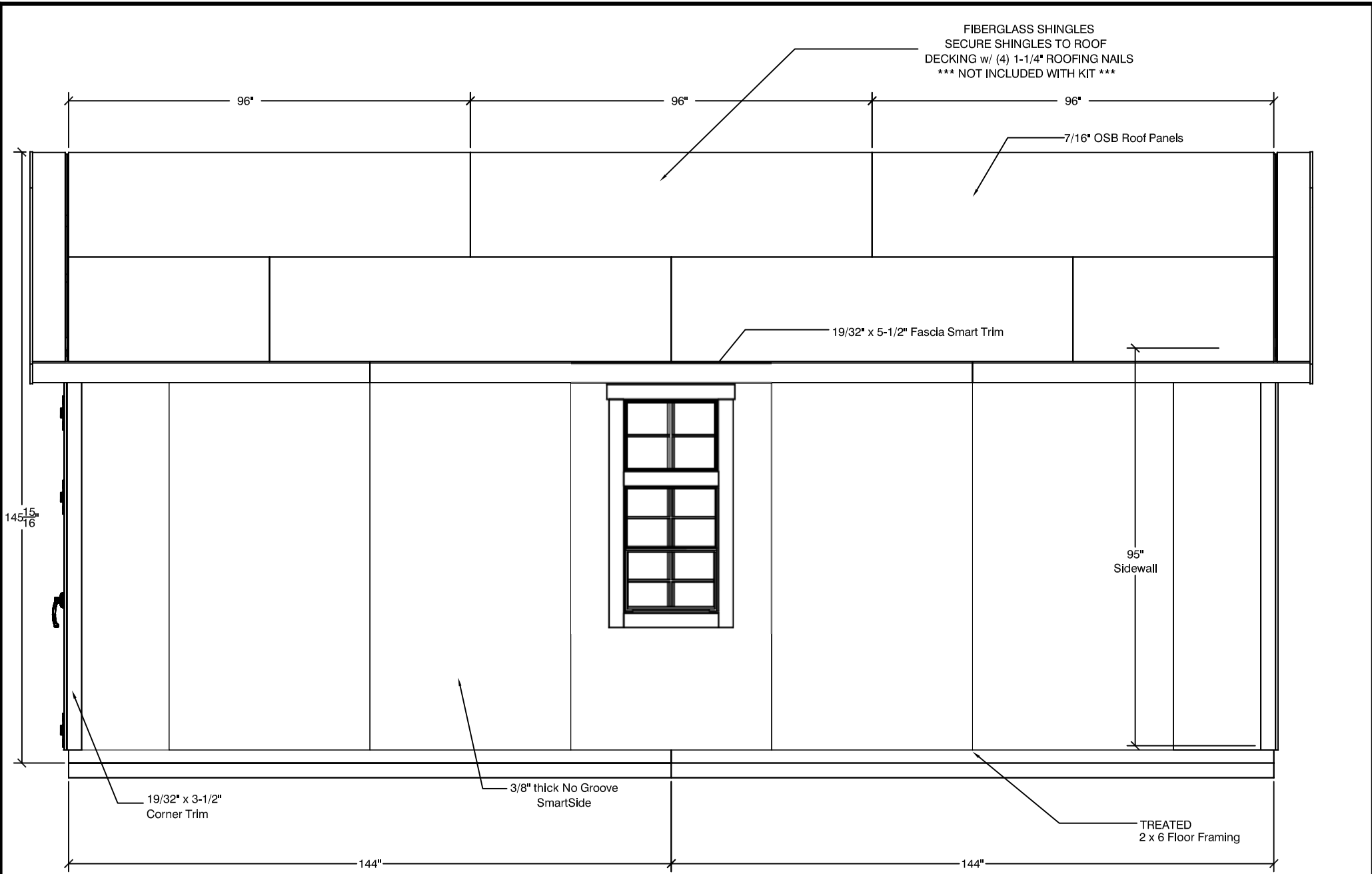
SCALE: 1/2" = 1'-0"

ITEM # 33092 and 33815



12' x 24' Upton Shed
 ELEVATIONS

SIZE A	ADDRESS 1000 Ternes Drive Monroe, MI 48162	DWG BY. Ken Sutter	Last Revision March 4, 2024
SCALE As Noted	(800) 221-1849	SHEET 2 of 11	



EAVE ELEVATION

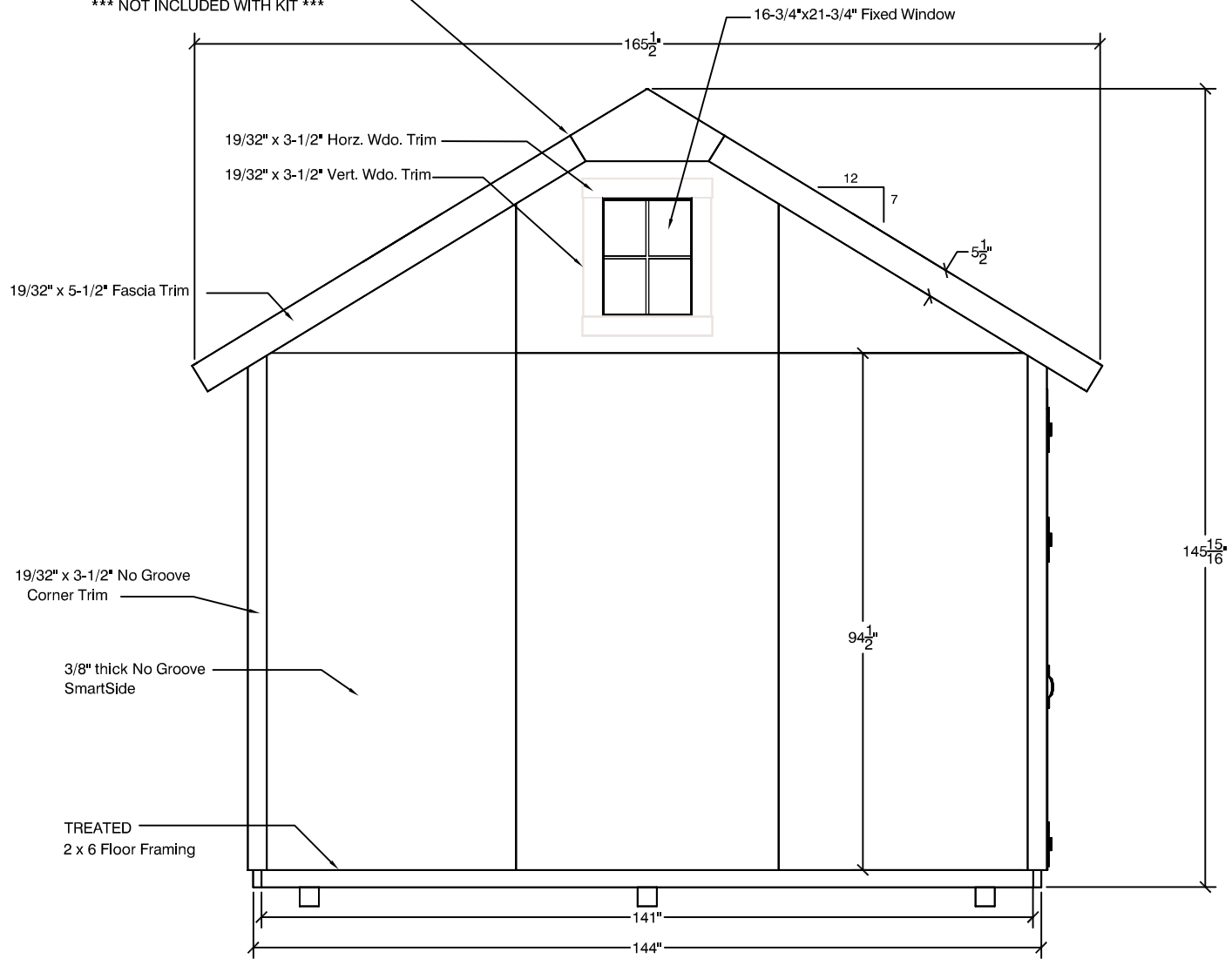
SCALE: 3/8" = 1'-0"

ITEM # 33092 and 33815



12' x 24' Upton Shed ELEVATIONS		SIZE A	ADDRESS 1000 Ternes Drive Monroe, MI 48162	DWG BY. Ken Sutter	Last Revision March 4, 2024
		SCALE As Noted	(800) 221-1849	SHEET 3 of 11	

FIBERGLASS SHINGLES
 SECURE SHINGLES TO ROOF
 DECKING w/ (4) 1-1/4" ROOFING NAILS
 *** NOT INCLUDED WITH KIT ***



GABLE ELEVATION

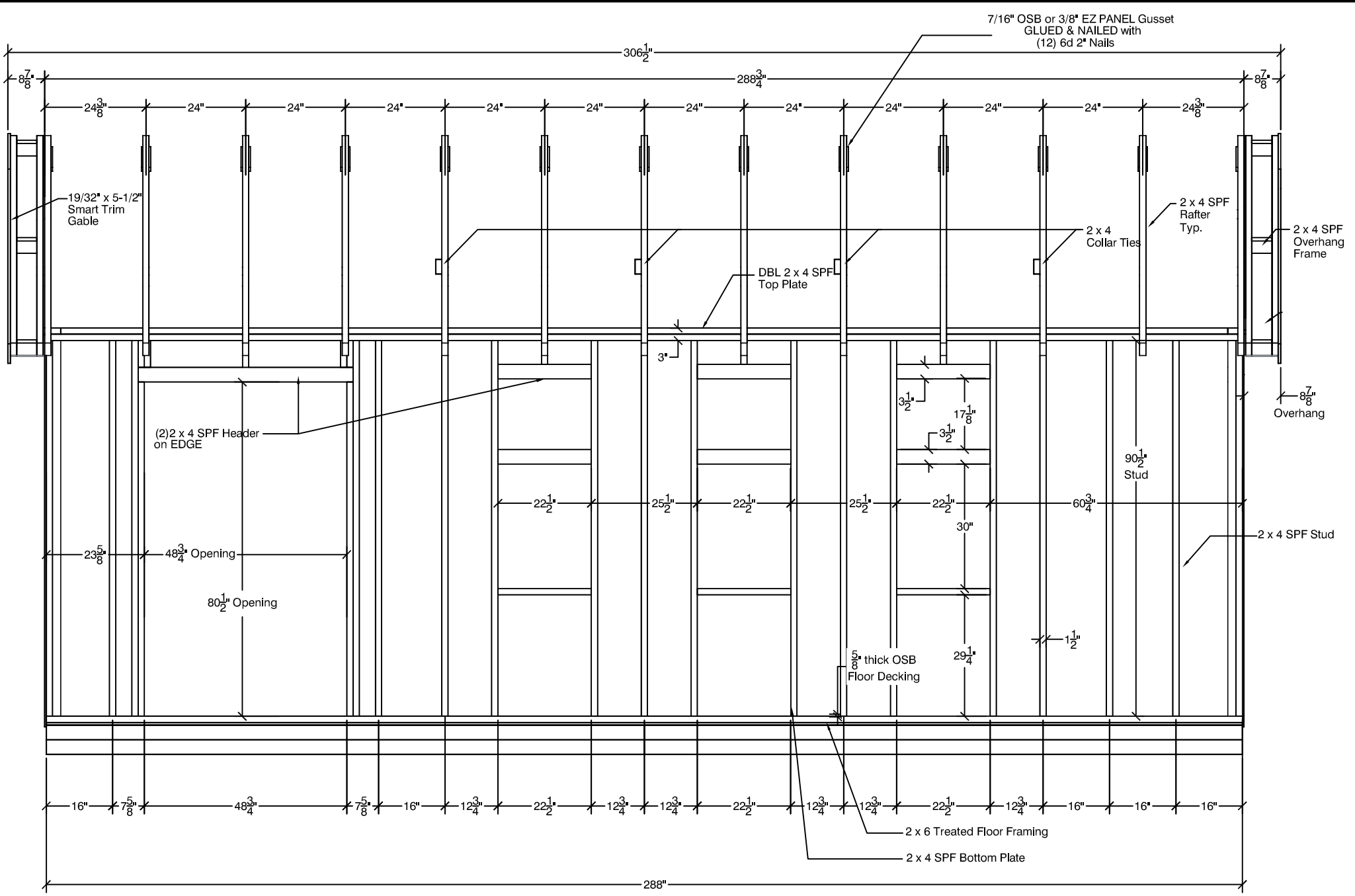
SCALE: 3/8" = 1'-0"

ITEM # 33092 and 33815



12' x 24' Upton Shed
 ELEVATIONS

SIZE A	ADDRESS 1000 Ternes Drive Monroe, MI 48162	DWG BY. Ken Sutter	Last Revision March 4, 2024
SCALE As Noted	(800) 221-1849		SHEET 4 of 11



EAVE SIDE WALL FRAMING w/ SIDE DOOR

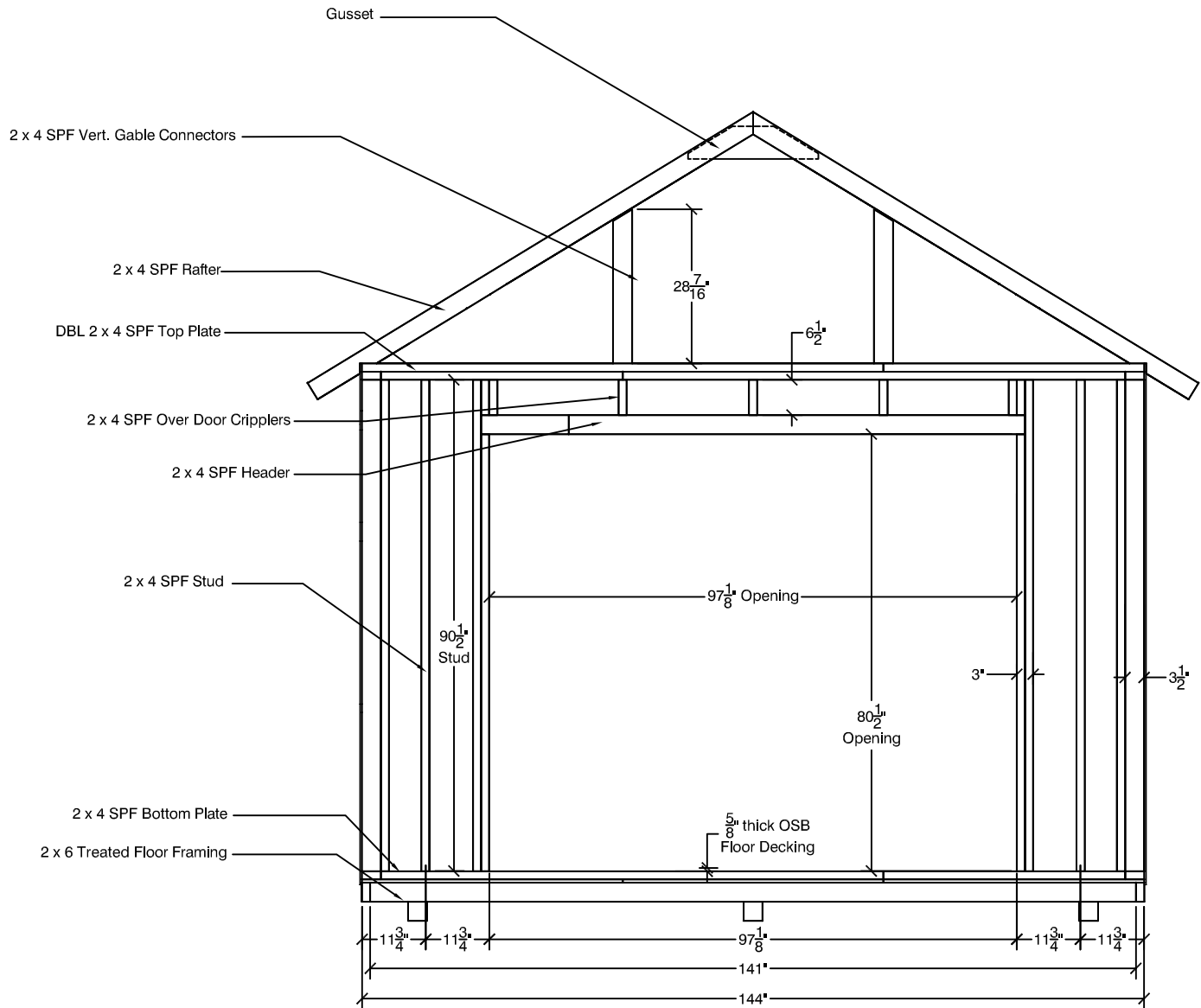
SCALE: 3/8" = 1'-0"

ITEM # 33092 and 33815



12' x 24' Upton Shed
FRAMING EAVE WITH DOOR

SIZE A	ADDRESS 1000 Ternes Drive Monroe, MI 48162	DWG BY. Ken Sutter	Last Revision March 4, 2024
SCALE As Noted	PHONE (800) 221-1849		SHEET 5 of 11



GABLE WALL FRAMING w/ DOOR

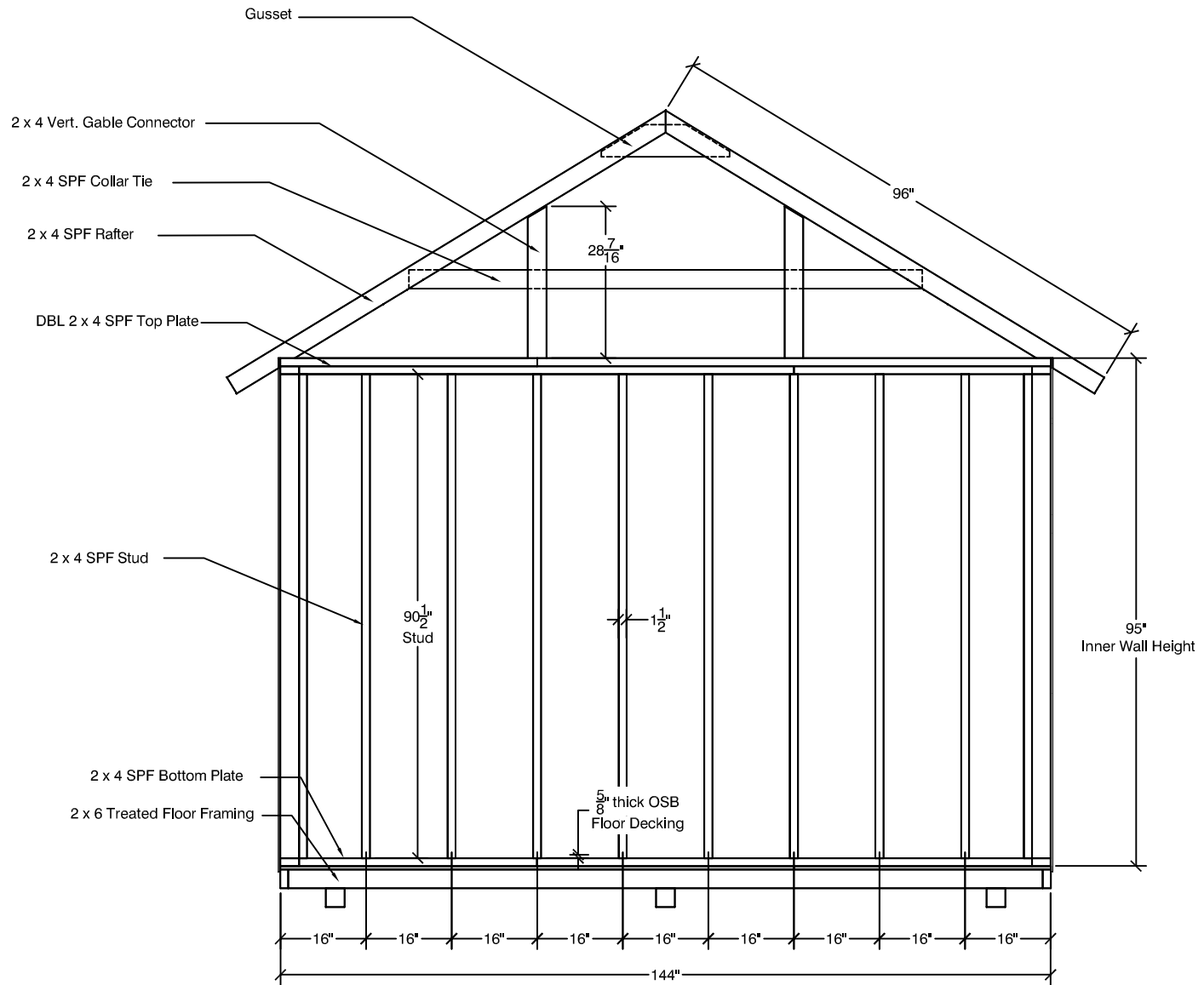
SCALE: 3/8" = 1'-0"

ITEM # 33092 and 33815



12' x 24' Upton Shed
FRAMING GABLE w/ DOOR

SIZE A	ADDRESS 1900 Ternes Drive Monroe, MI 48162	DWG BY. Ken Sutter	Last Revision March 4, 2024
SCALE As Noted	(800) 221-1849		SHEET 7 of 11



GABLE WALL FRAMING

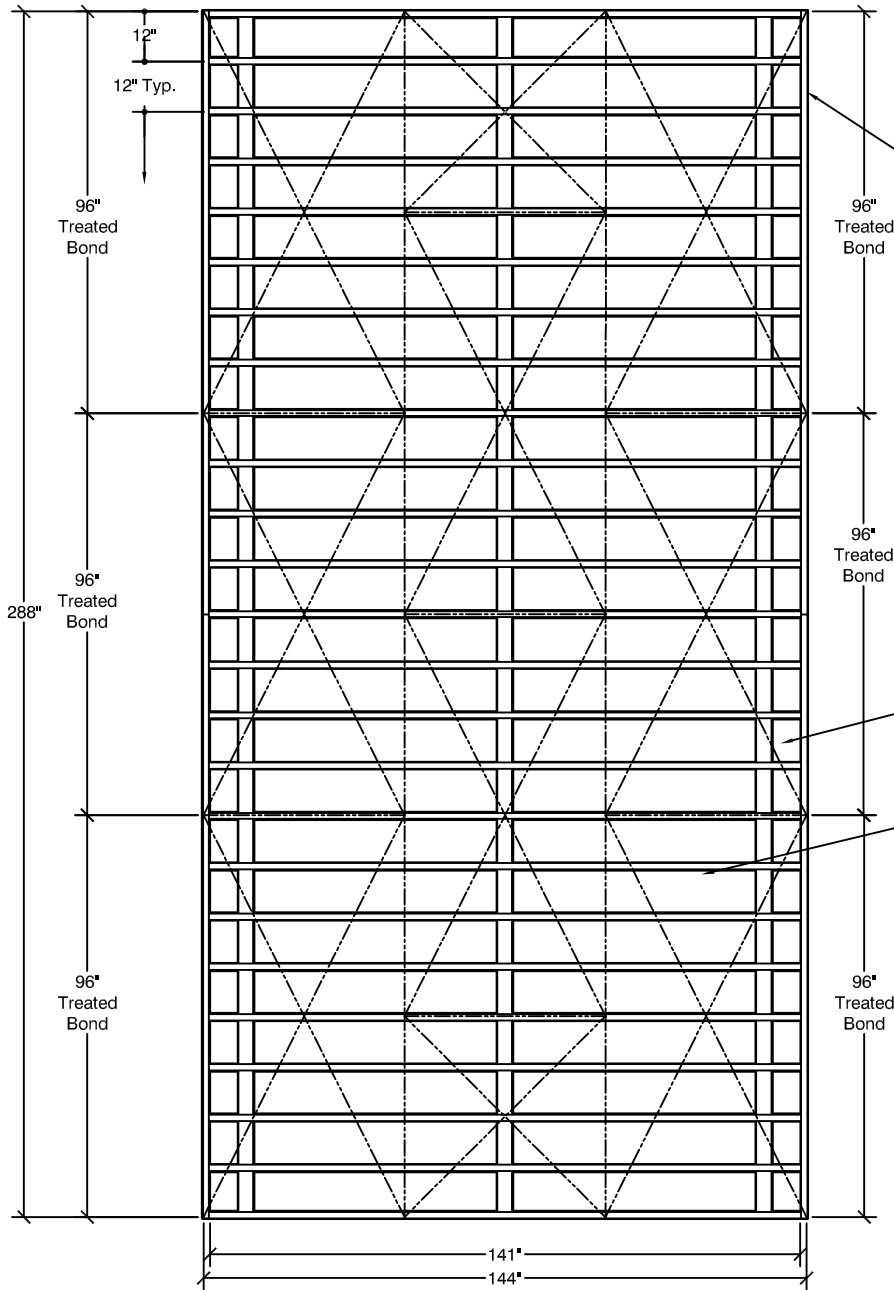
SCALE: 3/8" = 1'-0"

ITEM # 33092 and 33815



12' x 24' Upton Shed
FRAMING GABLE

SIZE A	ADDRESS 1000 Ternes Drive Monroe, MI 48162	DWG BY. Ken Sutter	Last Revision March 4, 2024
SCALE As Noted	(800) 221-1849	SHEET 8 of 11	



WOOD FLOOR FRAMING

SCALE: 1/4" = 1'-0"

7/16" OSB or 3/8" EZ PANEL Gusset
GLUED & NAILED with
(12) 6d 2" Nails

2x6 P.T. BOND BOARD (TYP)...
SECURE BOND @ CORNERS
W/3-16d NAILS

96" Treated Bond

96" Treated Bond

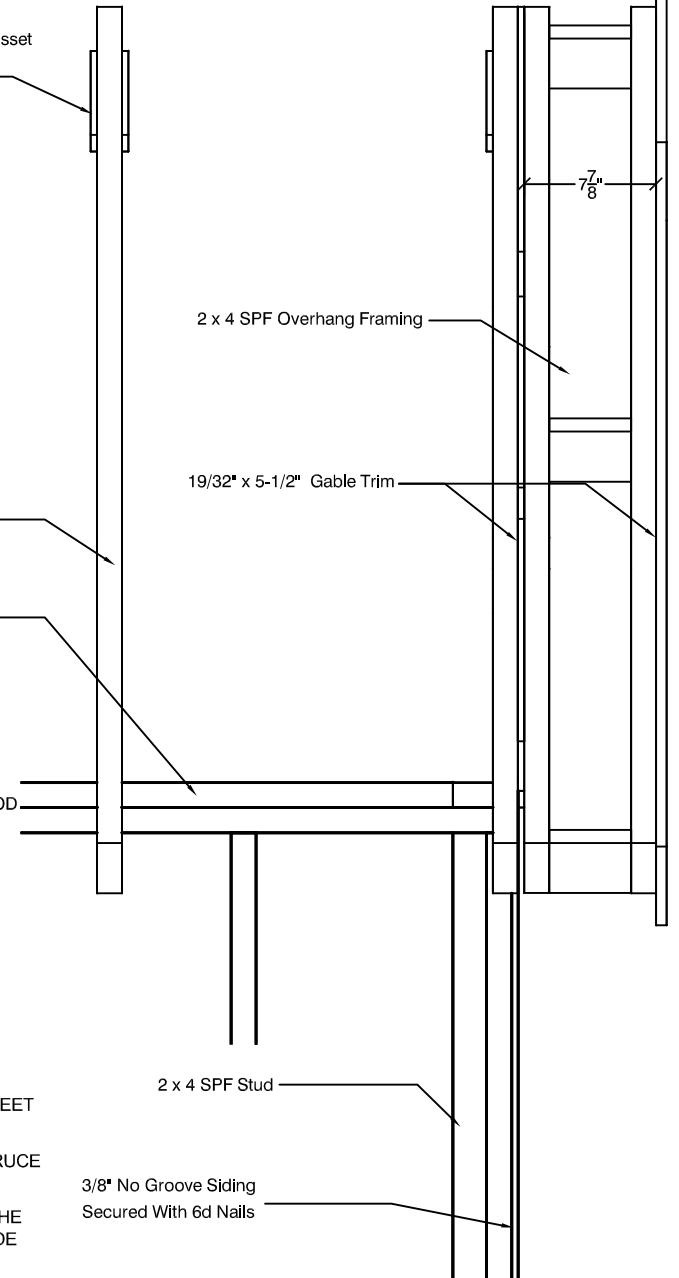
96" Treated Bond

2x6 P.T. JOISTS @ 12" O.C. (TYP)...
SECURE JOIST TO BOX SILL
W/2-16d NAILS @ EACH JOIST

5/8" OSB OR CDX TREATED PLYWOOD
SECURE FLOOR DECKING
TO FLOOR JOIST
W/8d NAILS @ 6" O.C.
@ EDGES & 12" O.C.
@ INTERMEDIATE SUPPORTS

NOTES

1. WHEN CONCRETE SLAB IS USED, THIS FLOOR FRAMING IS NOT REQUIRED
2. ALL MATERIALS AND LABOR SHALL MEET OR EXCEED APPLICABLE LOCAL CODES.
3. ALL LUMBER TO BE NO. 2 GRADE SPRUCE PINE FIR OR EQUIVALENT.
4. THIS FLOOR FRAMING PLAN IS FOR THE BACKYARD PRODUCTS, LLC. 12' x 24' WIDE UPTON BUILDING
5. IN THE EVENT OF A DIMENSIONAL OR MATERIAL DISCREPANCY, NOTIFY BACKYARD PRODUCTS, LLC.



WALL SECTION FRONT

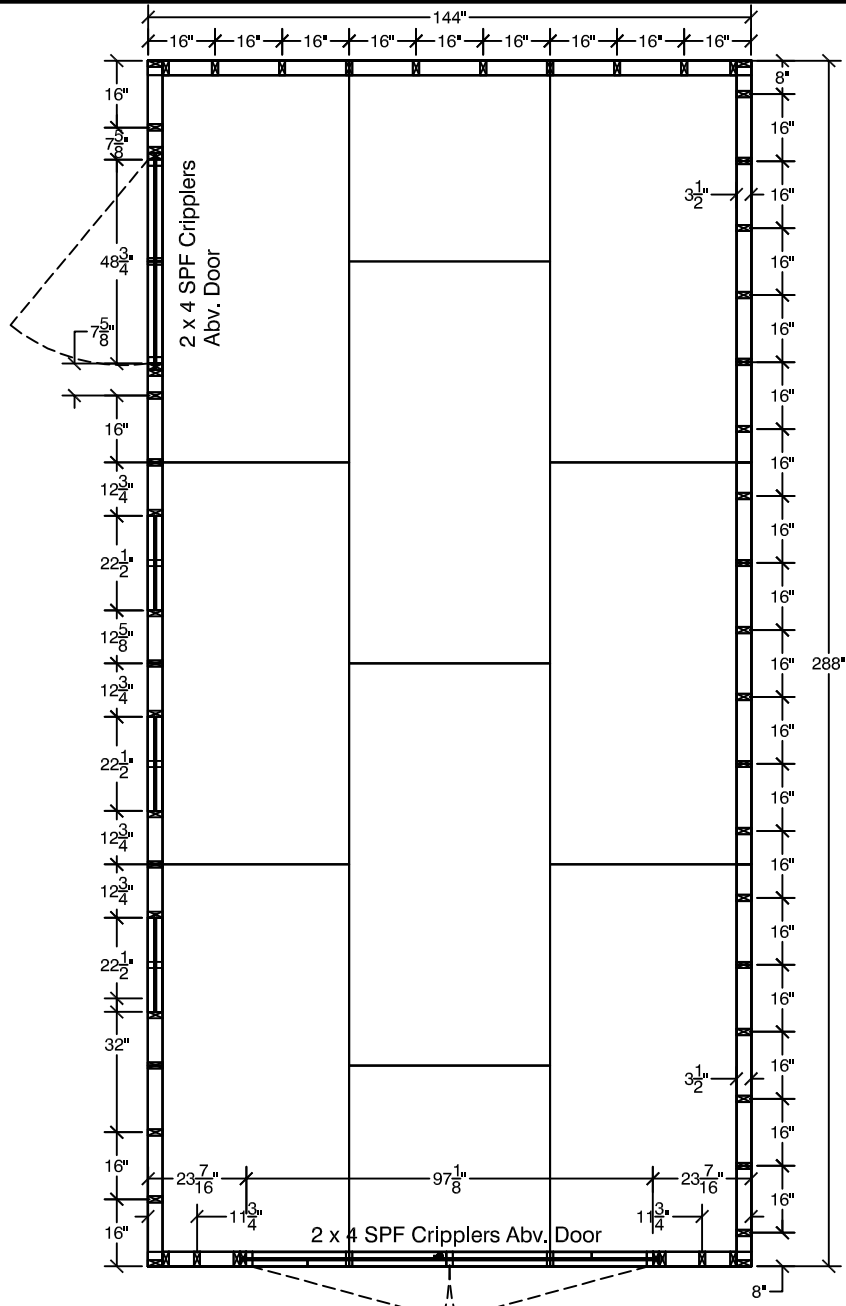
SCALE: 1" = 1'-0"

ITEM # 33092 and 33815



12' x 24' Upton Shed
FLOOR FRAMING/FRONT WALL

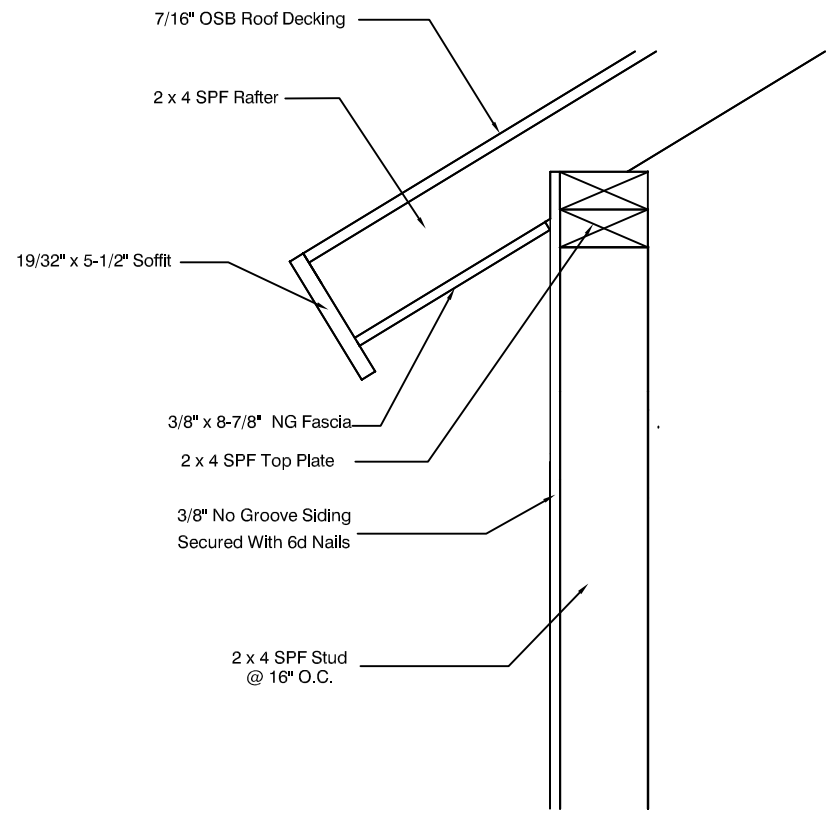
SIZE: A	ADDRESS: 1000 Ternes Drive Monroe, MI 48162	DWG BY: Ken Sutter	Last Revision: March 4, 2024
SCALE: As Noted	(800) 221-1849	SHEET: 9 of 11	



**WALL FRAMING DOOR ON GABLE END
SINGLE DOOR ON EAVE OFFSET**

SCALE: 1/4" = 1'-0"

NOTE
FIBERGLASS SHINGLES TO BE SECURED
TO ROOF DECKING W/1 1/4" ROOF NAILS



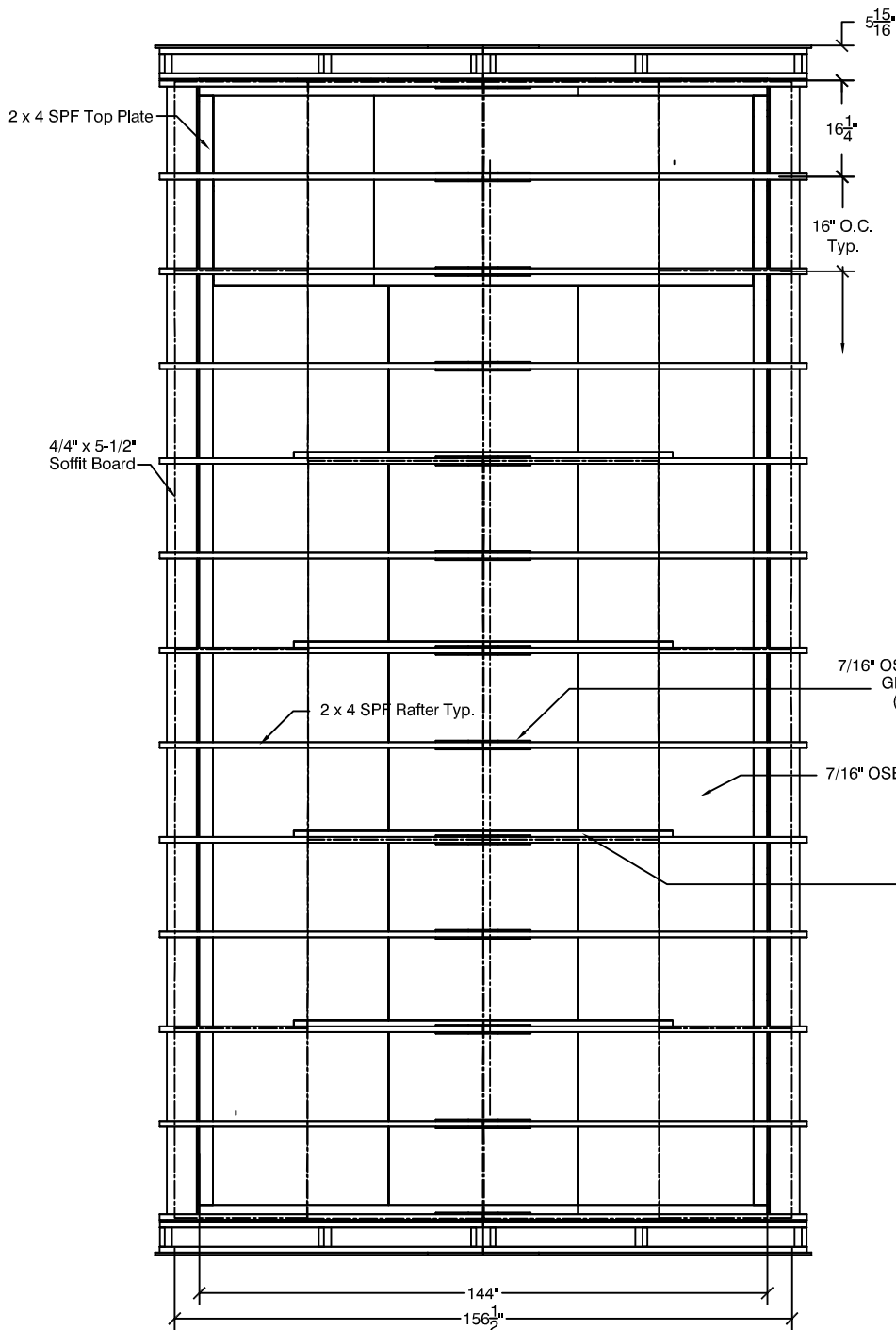
WALL SECTION
SCALE: 1-1/2" = 1'-0"

ITEM # 33092 and 33815



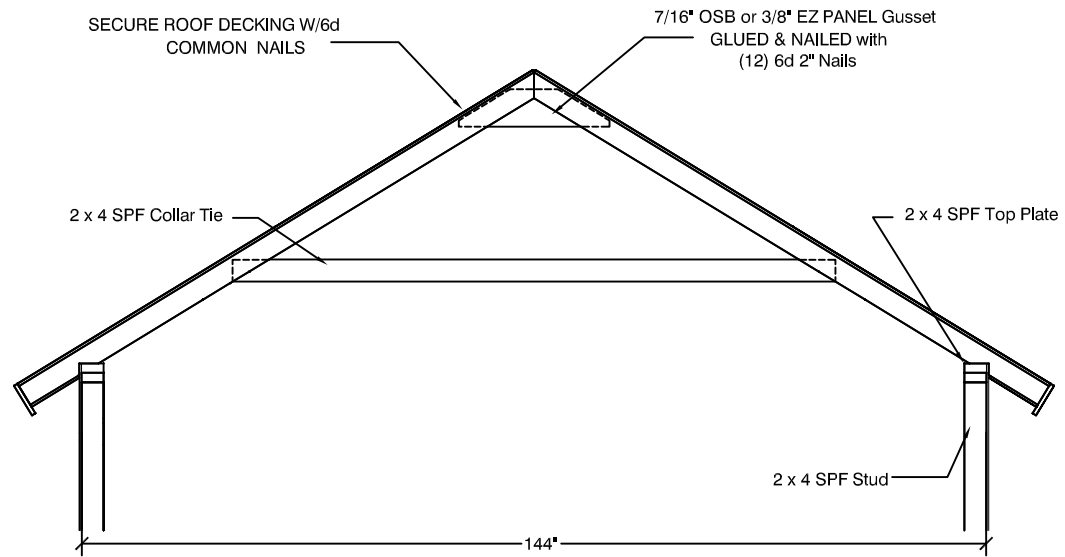
12' x 24' Upton Shed
WALLS/SECTION

SIZE A	ADDRESS 1000 Ternes Drive Monroe, MI 48162	DWG BY. Ken Sutter	Last Revision March 4, 2024
SCALE As Noted	(800) 221-1849		SHEET 10 of 11



ROOF FRAMING PLAN

SCALE: 1/4" = 1'-0"



RAFTER SECTION

SCALE: 1/2" = 1'-0"

7/16" OSB or 3/8" EZ PANEL Gusset
GLUED & NAILED WITH
(12) 6d 2" NAILS

7/16" OSB ROOF PANEL

2 x 4 SPF Collar Tie
SECURE COLLAR TIES
TO RAFTERS W/6-6d
NAILS (3 NAILS EACH RAFTER)

NOTES:

1. Approved Shingles installed per manufactures instructions with 4 nails per shingle
2. If using dripedge, it must overlap 2" and be nailed every 12" max.

NOTE:

1. THIS ROOF PLAN IS GOOD FOR THE 12' x 24' WIDE UPTON ONLY. ALL MATERIAL AND LABOR SHALL MEET OR EXCEED APPLICABLE LOCAL CODES.

ITEM # 33092 and 33815

		12' x 24' Upton Shed ROOF/SECTION	
<small>SIZE</small> A	<small>ADDRESS</small> 1900 Ternes Drive Monroe, MI 48162	<small>DWG. BY.</small> Ken Sutter	<small>Last Revision</small> March 4, 2024
<small>SCALE</small> As Noted	<small>(800) 221-1849</small>	<small>SHEET</small> 11 of 11	

