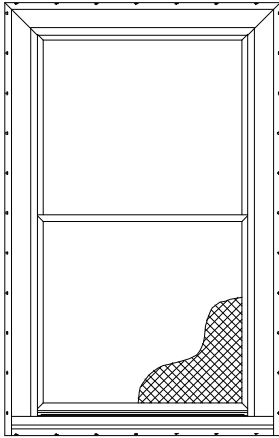


## Series 3800



INTERIOR VIEW

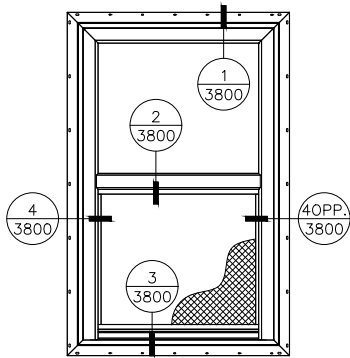
### Features

- Flat Frame Depth-  $3 \frac{1}{4}$ "
- Glazing Pocket Depth -  $3/4$ "
- New Construction Application
- Integral J-Channel
- Inverted Block & Tackle Balance System
- Continuous Head & Sill on Twin & Triple units

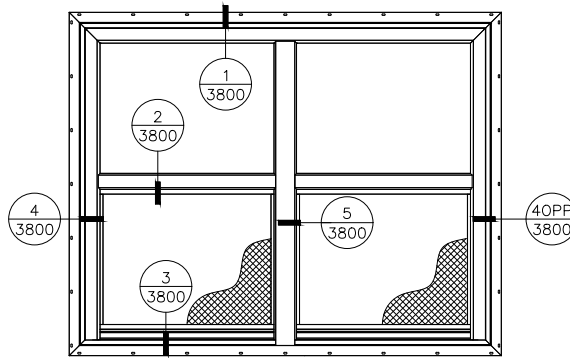
### Options

- Low-E and Argon filled glass units available
- Passthru/Drywall Window
- Extension Jambs  $4 \frac{9}{16}$  -  $6 \frac{9}{16}$
- Vent Latch
- Sash limiter w/ custodial tilt latch
- Window opening control device
- AAMA 450 certified Aluminum Structural mullion
- STC, OITC sound rated

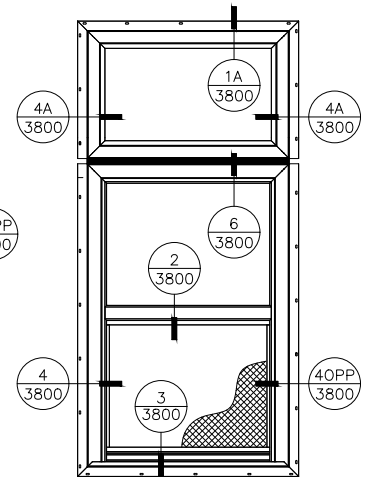
New Construction / Replacement  
Welded Vinyl Single Hung 3800 Series



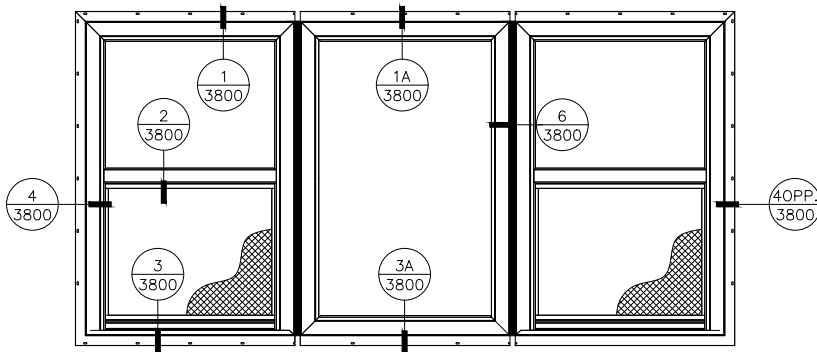
Series  
3800SH



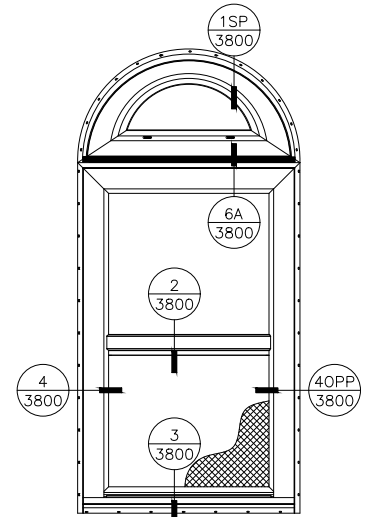
Series  
3800-2 SH



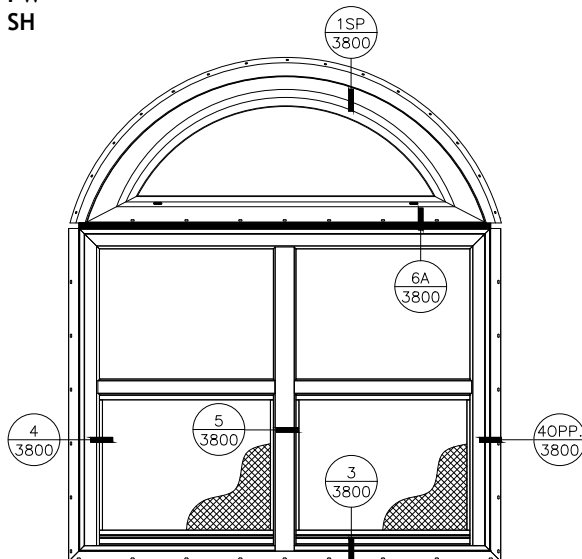
Series  
3800 PW  
3800 SH



Series  
3800 SH  
3800 PW  
3800 SH

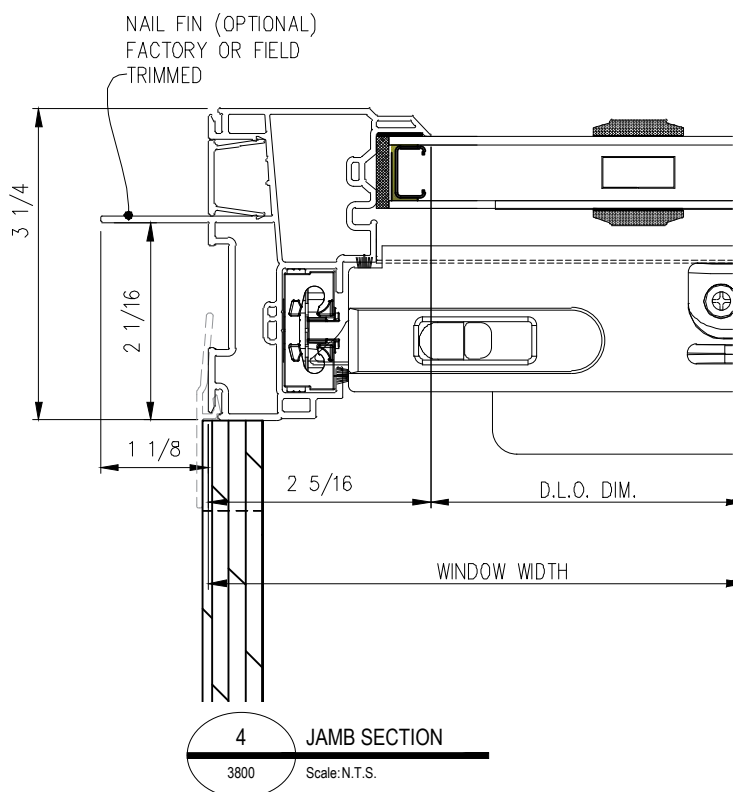
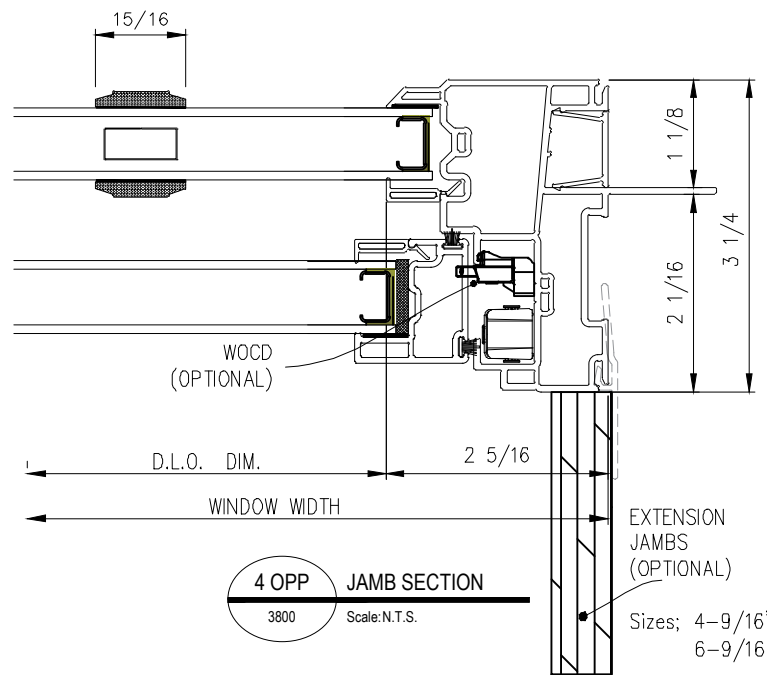
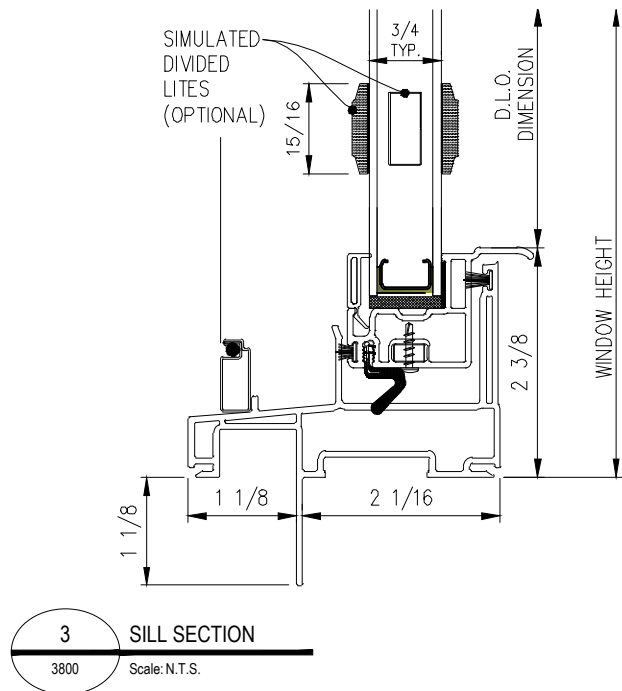
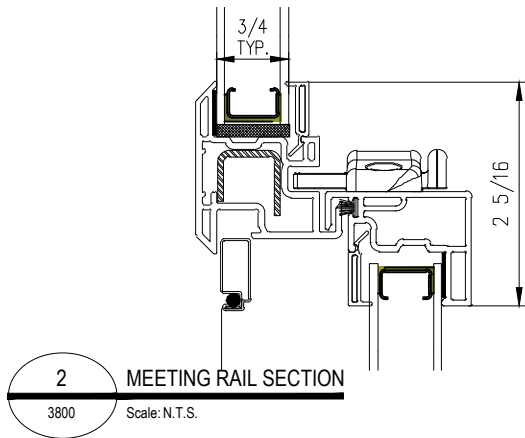
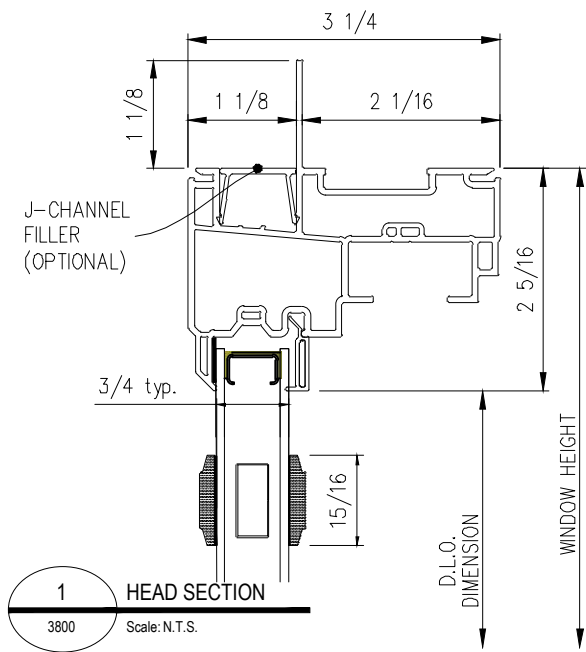


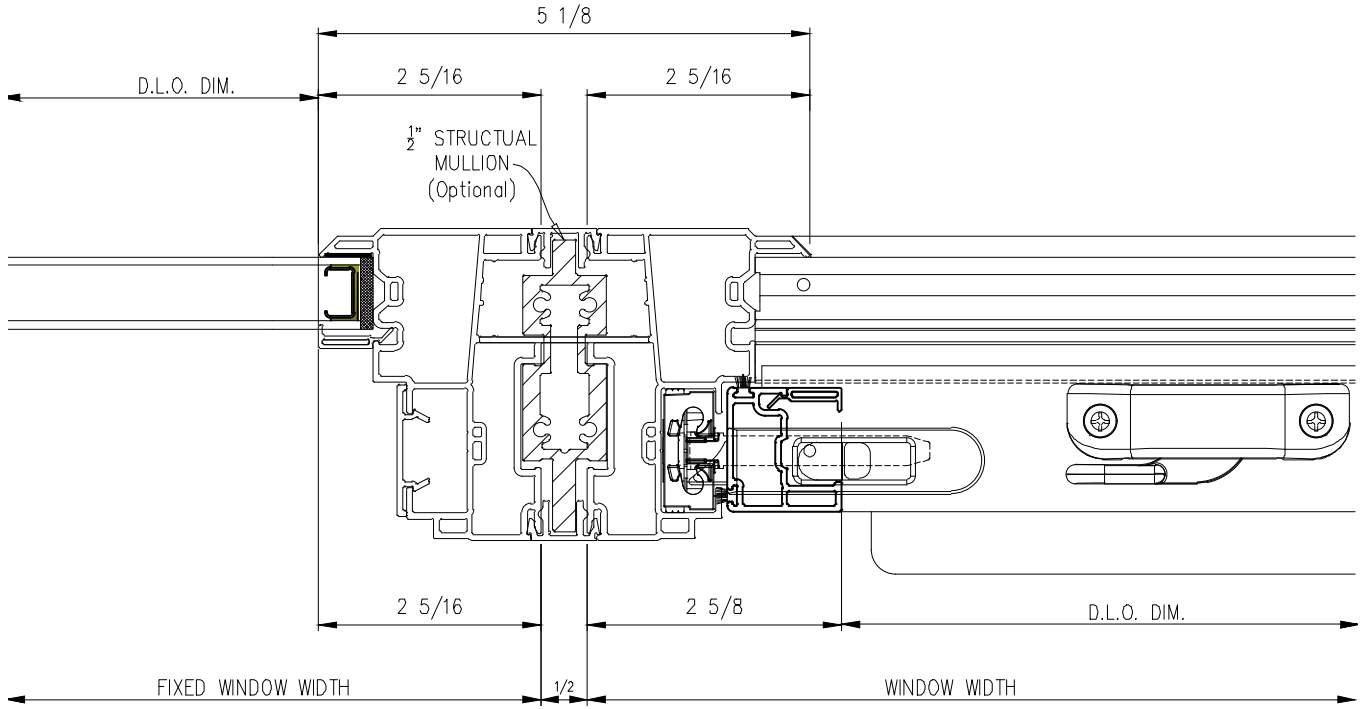
Series  
3800 CT  
3800 SH



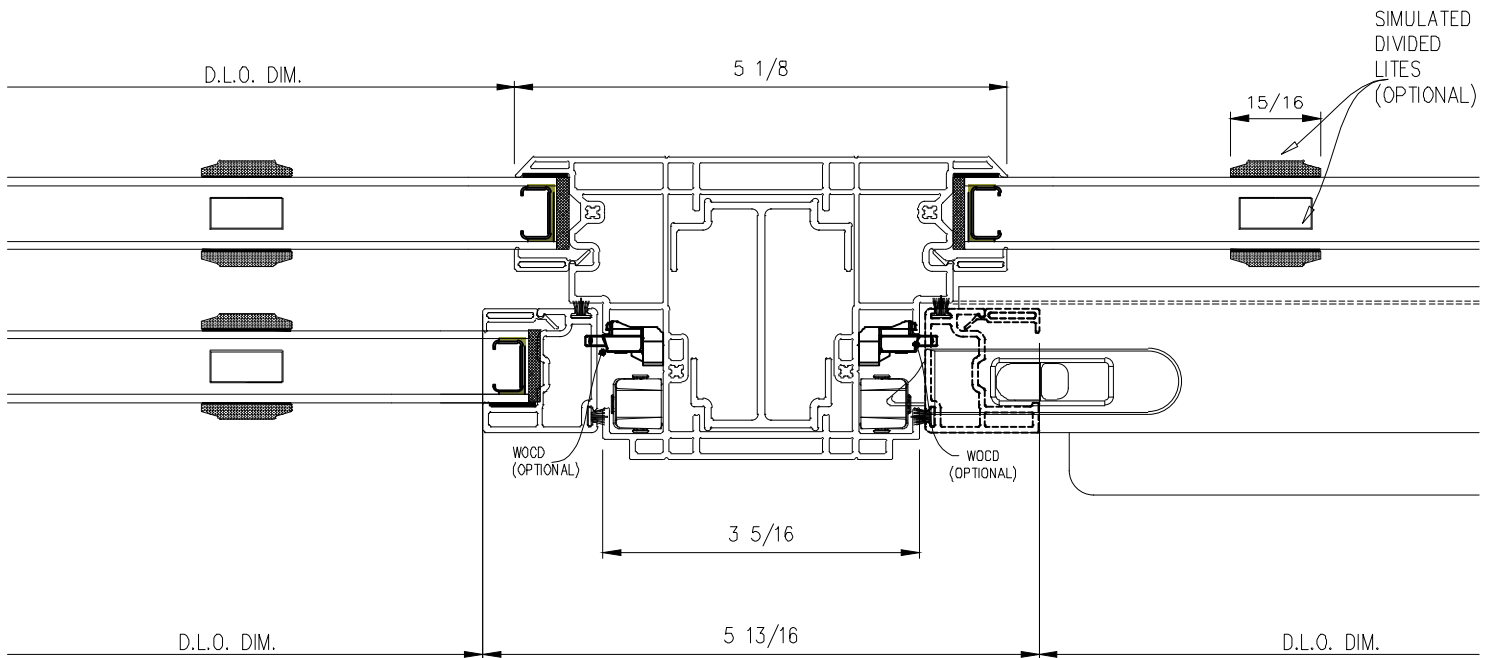
Series  
3800 CT  
3800-2 SH

New Construction / Replacement  
Welded Vinyl Single Hung 3800 Series



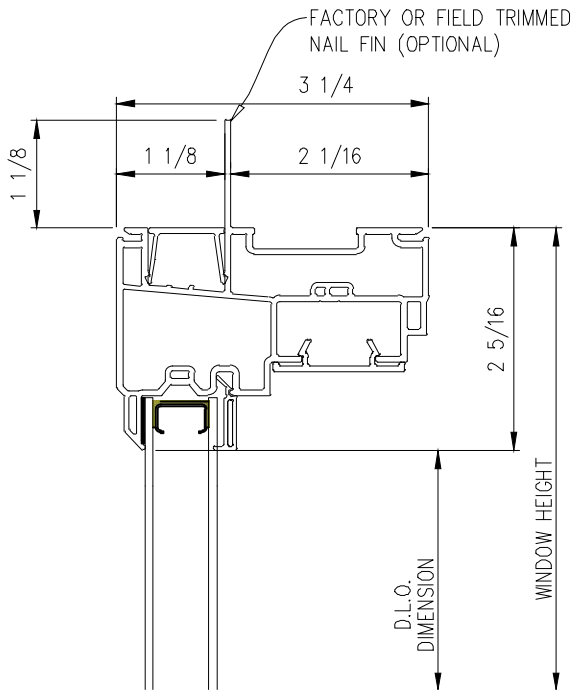


6 MULLION V-SECTION  
3800 Scale: N.T.S.

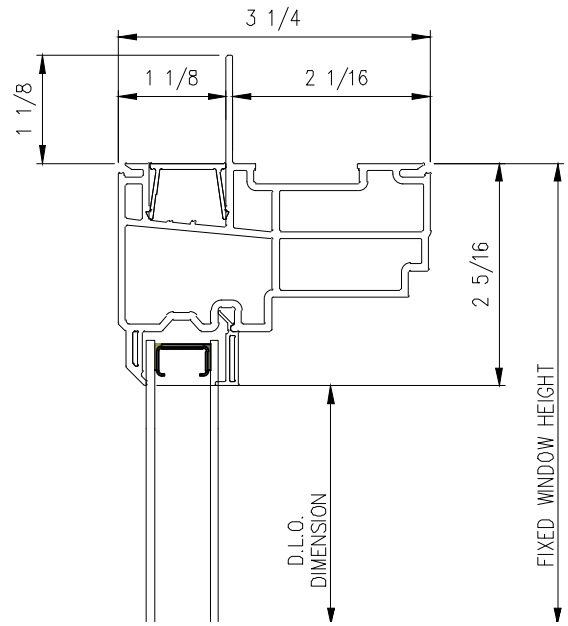


5 COMMON-JAMB SECTION  
3800-2 SH Scale: N.T.S.

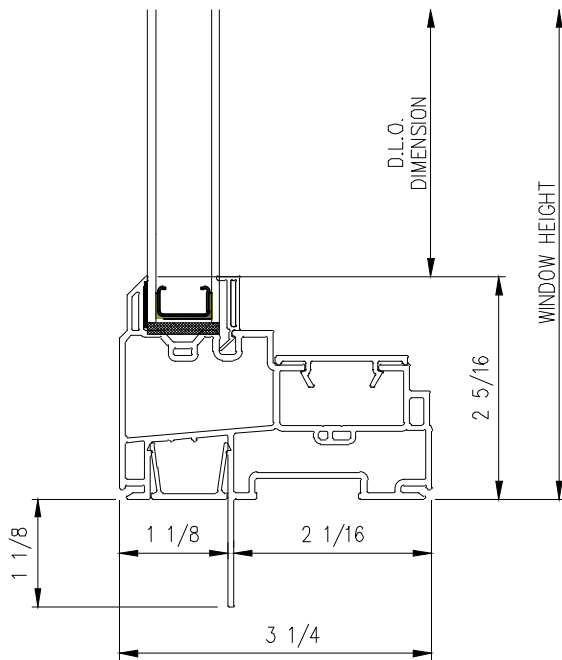
New Construction / Replacement  
Welded Vinyl Single Hung 3800 Series



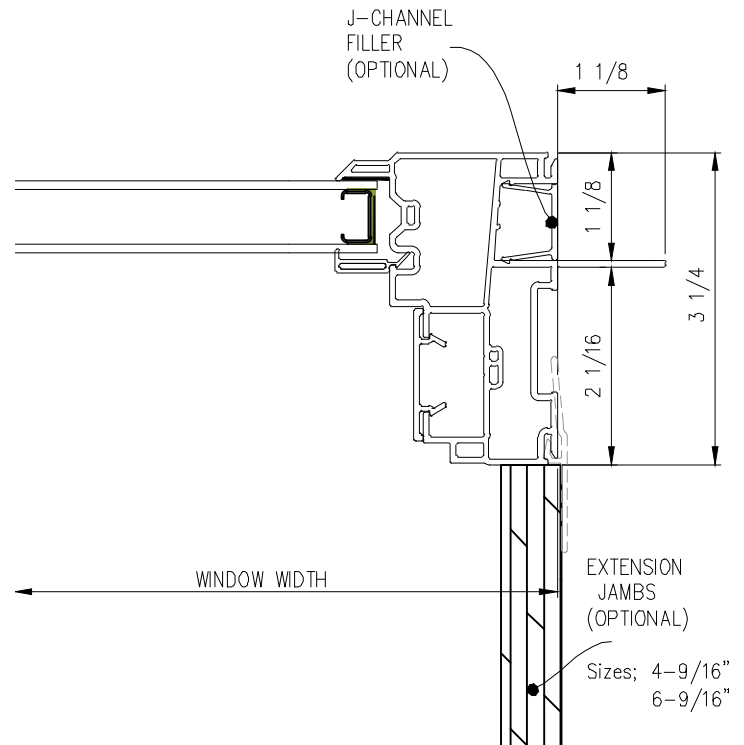
**1A** HEAD PW SECTION  
3800 Scale: N.T.S.



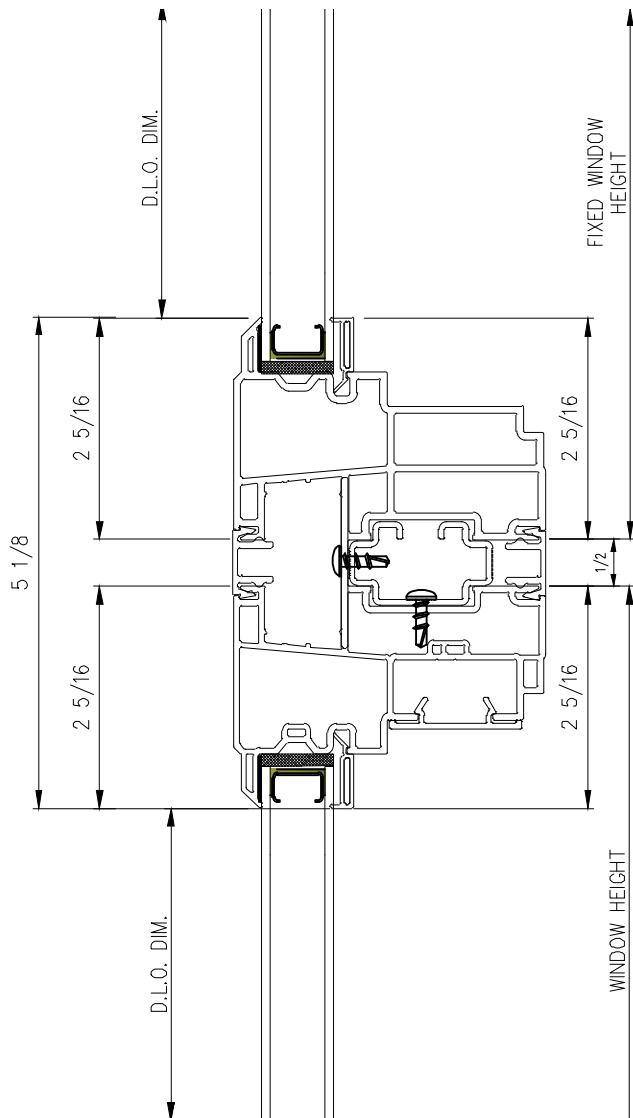
**1SP** HEAD CT SECTION  
3800 Scale: N.T.S.



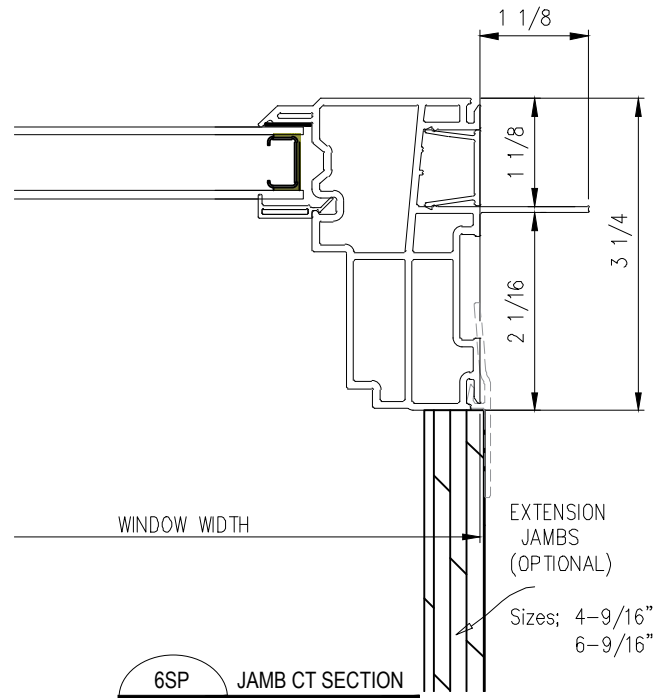
**3A** SILL PW SECTION  
3800 Scale: N.T.S.



**4A** JAMB PW SECTION  
3800 Scale: N.T.S.



**6A** MULLION H-SECTION  
3800-1V Scale: N.T.S.

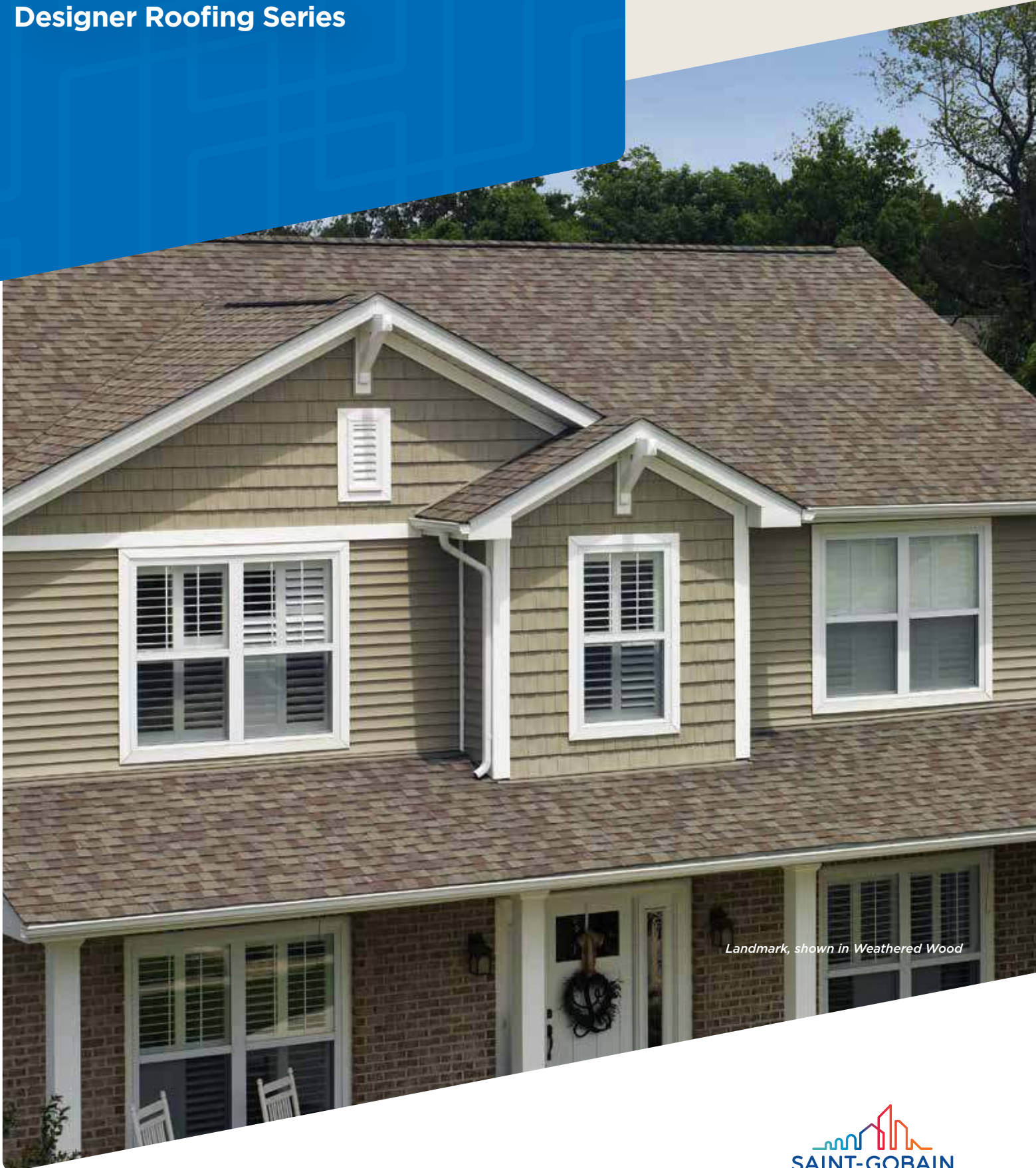


**6SP** JAMB CT SECTION  
3800 Scale: N.T.S.

# Landmark<sup>®</sup> Series

Designer Roofing Series

 certainteed  
SAINT-GOBAIN



*Landmark, shown in Weathered Wood*

  
SAINT-GOBAIN



*NOTE: Due to limitations of printing reproduction, CertainTeed can not guarantee the identical match of the actual product color to the graphic representations throughout this publication.*





# Trust Your Home to Landmark<sup>®</sup>

Few things in this world are as precious as the place that you call home. It is much more than just a house. It's the foundation from which you build your life. That's why having a roof that gives your home long-lasting curb appeal and protection from the elements is so important. At CertainTeed, our benchmark for success is our customers' total peace of mind. And we wouldn't have it any other way.

Our dedication to making the highest-quality roofing systems continues to earn the respect of top building professionals. And our product portfolio offers the widest variety of design and color options in the industry. It's no wonder that more than a million homeowners across North America choose CertainTeed each year.

And the job doesn't stop once the roof goes on. Every CertainTeed product is backed by our industry-leading manufacturer's warranty, allowing you to rest confidently and comfortably for years to come.



Technology that protects  
the beauty of your roof and  
strengthens its performance.





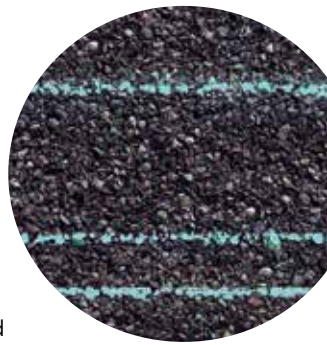
# NailTrak<sup>®</sup>

Fast, Accurate, Visible

The new and improved **NailTrak** nailing line, a feature on CertainTeed designer shingles.

Now **NailTrak** is brighter than ever before, with high-visibility lines that stand out whether it's daybreak or dusk.

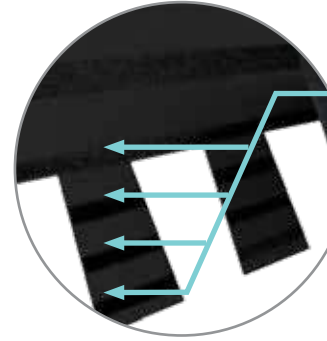
**NailTrak** removes the guesswork with three separately defined lines, creating a large area to guide your nailing and a smaller area for extreme steep-slope applications.



# QuadraBond<sup>®</sup>

Advanced Layering

CertainTeed's specially formulated adhesive adheres shingle layers at four points, more than any other manufacturer. This superior bond provides greater protection against shingle delamination to maximize performance over the life of the shingle in any climate.



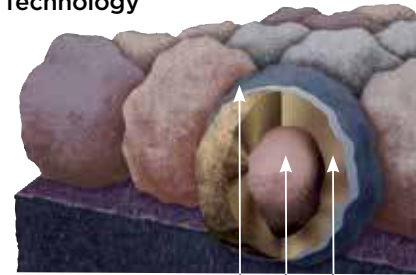
# StreakFighter<sup>®</sup>

Algae Resistance

The ultimate in stain protection.

Those streaks you see on other roofs in your neighborhood? That's algae, and it's a common eyesore on roofing throughout North America. CertainTeed's **StreakFighter** technology uses the power of science to repel algae before it can take hold and spread. **StreakFighter's** granular blend includes naturally algae-resistant copper, helping your roof maintain its curb appeal and look beautiful for years to come.

Granule with **StreakFighter** Technology

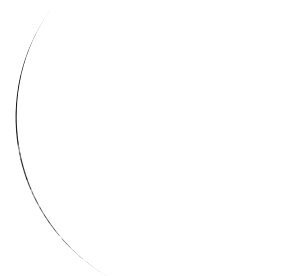


Ceramic coating  
Mineral core  
Copper layer  
Diagram for illustrative purposes only.

# CertaSeal<sup>®</sup>

Uplift Protection

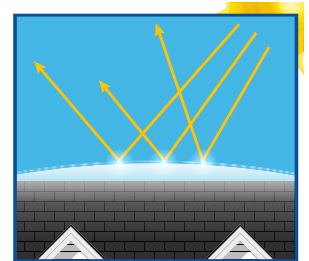
**CertaSeal<sup>®</sup>** is a fast-activating modified asphalt sealant with a 20-year record of proven performance. Designed to seal shingles together upon installation, it protects roofs from wind uplift and shingle blow-off so that homes stay safe and dry. It's also engineered to remain flexible after installation, unlike harder sealants that can dry out and crack over time.



# Solaris<sup>®</sup> CoolRoof

Solar Reflectivity

Solaris<sup>®</sup> Cool Roof is a sustainable shingle granule technology that applies energy-saving cool roof performance to CertainTeed's most popular shingle brands. Available in rich and authentic colors, including dark hues and tones, Solaris Cool Roof can lower roof temperatures and allow homeowners to reduce cooling costs without sacrificing beauty, quality, or color.







# The Trusted Classic

## LANDMARK®

Owning a Landmark roof brings peace of mind. Landmark's dual-layered construction and exceptional durability provide long-lasting protection for your home.

- **Now classified as UL 2218 Class 3 Impact Rated**
- Dual-layered for extra dimensionality and protection from the elements
- Offers the widest array of colors in the industry
- Independently certified as meeting the highest quality standards for roofing



Scan code for  
more information

# LANDMARK® COLOR PALETTE



Silver Birch



Cobblestone Gray



Georgetown Gray



Pewter



Moiré Black



Heather Blend

# LANDMARK® **Solaris®** CoolRoof COLOR PALETTE



Graphite

*CRRP Product ID 0668-0155*



Weathered Wood

*CRRP Product ID 0668-0119*



Weathered Wood



Driftwood



Colonial Slate



Burnt Sienna



Resawn Shake







# Outstanding Durability

LANDMARK®  
**ClimateFlex**®

Featuring the latest advances in polymer science, CertainTeed's **ClimateFlex** technology works at a molecular level to make shingles strong and pliable. The rubber-like qualities of the **ClimateFlex** asphalt formula provides each shingle with improved hail resistance, cold-weather flexibility and granule adhesion.

- Highest industry-rated impact protection
- Better pliability and granule adhesion
- Endures weathering and cold-weather extremes

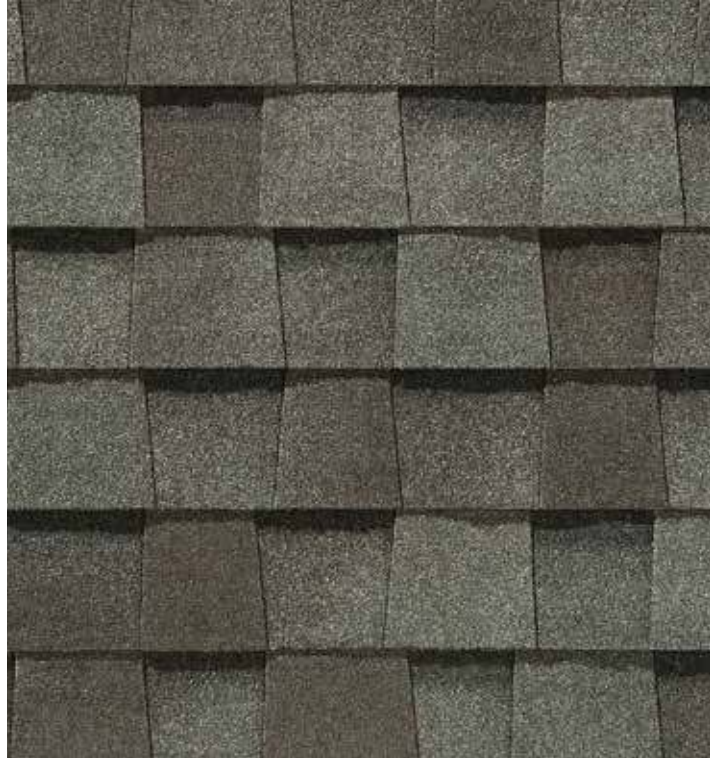


Scan code for more information

# LANDMARK® ClimateFlex® COLOR PALETTE



Colonial Slate



Weathered Wood



Burnt Sienna



Resawn Shake



Moiré Black



Heather Blend





# The Expert's Choice

## LANDMARK® PRO

A refined union of vision and value, our PRO line leads its class in optimal performance and variety of color.

- **Now classified as UL 2218 Class 3 Impact Rated**
- Engineered to meet professional contractors' exacting specifications
- Available in a wide selection of eye-catching **Max Def** colors
- Outweighs standard laminates to provide greater protection from the elements



Scan code for more information

# LANDMARK® PRO COLOR PALETTE



Max Def Cobblestone Gray



Max Def Georgetown Gray



Max Def Driftwood



Max Def Prairie Wood



Max Def Espresso



Max Def Heather Blend



Max Def Resawn Shake



Max Def Coastal Blue

## MAX DEF COLORS

Look deeper. With Max Def, a new dimension is added to shingles with a richer mixture of surface granules. You get a brighter, more vibrant, more dramatic appearance and depth of color. And the natural beauty of your roof shines through.



Max Def Colonial Slate



Max Def Weathered Wood



Max Def Pewter



Max Def Moiré Black



Max Def Shenandoah



Max Def Burnt Sienna



Max Def Red Oak



Max Def Evergreen





# Outstanding Durability

## NORTHGATE® ClimateFlex®

Featuring the latest advances in polymer science, CertainTeed's **ClimateFlex** technology works at a molecular level to make shingles strong and pliable. The rubber-like qualities of the **ClimateFlex** asphalt formula provides each shingle with improved hail resistance, cold-weather flexibility, and granule adhesion than traditional asphalt shingles.

- Highest industry-rated impact protection
- Better pliability and granule adhesion
- Endures weathering and cold-weather extremes



Max Def Weathered Wood



Scan code for more information

NorthGate ClimateFlex, shown in Max Def Weathered Wood

See next page for full color palette.

# NORTHGATE® ClimateFlex® COLOR PALETTE



Max Def Driftwood



Max Def Granite Gray



Max Def Georgetown Gray



Max Def Moiré Black



Max Def Burnt Sienna



Max Def Resawn Shake

## MAX DEF COLORS

Look deeper. With Max Def, a new dimension is added to shingles with a richer mixture of surface granules. You get a brighter, more vibrant, more dramatic appearance and depth of color. And the natural beauty of your roof shines through.



Max Def Pewter



Max Def Weathered Wood



Max Def Espresso



Max Def Heather Blend



Max Def Hunter Green



Silver Birch  
*CRRR Product ID 0668-0072*



9434



# Top Shelf

## LANDMARK® PREMIUM

A sophisticated look, brilliantly executed. Our Premium line is engineered to protect, enhance and endure.

- Outclasses ordinary roofing in both appearance and performance
- Tough two-piece laminated fiberglass-based construction
- Features **Max Def** colors for a deeper, richer mixture of surface granules



*Max Def Weathered Wood*



Scan code for  
more information

# LANDMARK® PREMIUM COLOR PALETTE



Max Def Weathered Wood



Max Def Driftwood



Max Def Moiré Black



Max Def Heather Blend



Max Def Burnt Sienna

## MAX DEF COLORS

Look deeper. With Max Def, a new dimension is added to shingles with a richer mixture of surface granules. You get a brighter, more vibrant, more dramatic appearance and depth of color. And the natural beauty of your roof shines through.



# Strength with Style

## LANDMARK<sup>®</sup>

- Certified to meet UL 2218 Class 3 Impact Resistance
- Dual-layer durability
- Industry-best lifetime limited warranty
- 25-year **StreakFighter<sup>®</sup>** algae-resistance warranty
- **Solaris<sup>®</sup> CoolRoof** colors have a Solar Reflectance Index greater than 20 SRI.

## LANDMARK<sup>®</sup> **ClimateFlex<sup>®</sup>**

- Certified to meet UL 2218 Class 4 Impact Resistance
- Dual-layer, high performance
- Industry-best lifetime limited warranty
- 25-year **StreakFighter<sup>®</sup>** algae-resistance warranty

## LANDMARK<sup>®</sup> PRO

- Certified to meet UL 2218 Class 3 Impact Resistance
- Dual-layer, high performance
- Max Def color palette
- Industry-best lifetime limited warranty
- 30-year **StreakFighter<sup>®</sup>** algae-resistance warranty

## NORTHGATE<sup>®</sup> **ClimateFlex<sup>®</sup>**

- Certified to meet UL 2218 Class 4 Impact Resistance
- Dual-layer, high performance
- Max Def color palette
- Industry-best lifetime limited warranty
- 30-year **StreakFighter<sup>®</sup>** algae-resistance warranty

## LANDMARK<sup>®</sup> PREMIUM

- Dual-layer, high performance
- Max Def color palette
- Industry-best lifetime limited warranty
- 30-year **StreakFighter<sup>®</sup>** algae-resistance warranty





# LANDMARK SERIES

## SPECIFICATIONS

- Two-piece laminated fiberglass-based construction
- Classic shades and dimensional appearance of natural wood or slate
- **Solaris**<sup>®</sup> *CoolRoof* colors have a Solar Reflectance Index greater than 20 SRI.

*For U.S. building code compliance, see product specification sheets.*

CertainTeed products are tested to ensure the highest quality and comply with the following industry standards:

### Fire Resistance:

- UL Class A
- UL certified to meet ASTM D3018 Type 1

### Wind Resistance:

- UL certified to meet ASTM D3018 Type 1
- ASTM D3161 Class F

### Tear Resistance:

- UL certified to meet ASTM D3462
- CSA standard A123.5

### Wind Driven Rain Resistance:

- Miami-Dade Product Control Acceptance: Please reference [www.certainteed.com](http://www.certainteed.com) to determine approved products by manufacturing location.

### Impact Resistance:

- Certified to meet UL 2218 Class 4 (Landmark **ClimateFlex**<sup>®</sup> and NorthGate **ClimateFlex**<sup>®</sup>)
- Certified to meet UL 2218 Class 3 (Landmark and Landmark PRO)

### Quality Standards:

- ICC-ES-ESR-1389 & ESR-3537

## WARRANTY

- Lifetime limited transferable warranty against manufacturing defects on residential applications
- 50-year limited transferable warranty against manufacturing defects on group-owned or commercial applications (Landmark PRO, NorthGate **ClimateFlex**<sup>®</sup> and Landmark Premium)
- 40-year limited transferable warranty against manufacturing defects on group-owned or commercial applications (Landmark and Landmark **ClimateFlex**<sup>®</sup>)
- **StreakFighter**<sup>®</sup> algae-resistance warranty (25-year – Landmark and Landmark **ClimateFlex**<sup>®</sup>, 30-year – Landmark PRO, NorthGate **ClimateFlex**<sup>®</sup> and Landmark Premium)
- 10-year SureStart<sup>™</sup> protection
- 15-year 110 mph wind-resistance warranty
- Wind warranty upgrade to 130 mph available. CertainTeed starter and CertainTeed hip and ridge required

*See actual warranty for specific details and limitations.*

# Product Comparison

	Traditional Designer Shingle Style	Industry Leading Granule Adhesion	Warranty Duration	Algae Warranty Coverage	Product Weight	Depth/ Dimensional Appearance
Landmark	✓	✓	Lifetime	25-Year	✓	✓
Landmark Solaris® CoolRoof	✓	✓	Lifetime	25-Year	✓	✓
Landmark ClimateFlex®	✓	✓	Lifetime	25-Year	✓	✓
Landmark PRO	✓	✓	Lifetime	30-Year	✓✓	✓✓
NorthGate ClimateFlex®	✓	✓	Lifetime	30-Year	✓✓	✓✓
Landmark Premium	✓	✓	Lifetime	30-Year	✓✓✓	✓✓



<b>NailTrak</b>	Max Def Colors	<b>ClimateFlex</b> Technology (Cold Weather Installation)	<b>ClimateFlex</b> Technology (Impact Resistance)	UL 2218 Impact Rated	Cool Roof Technology (Solar Reflectivity)	Value Rating
✓				Class 3		Good
✓				Class 3	✓	Good
✓		✓	✓	Class 4		Better
✓	✓			Class 3		Better
✓	✓	✓	✓	Class 4		Best
✓	✓					Best



# The ColorView® Visualizer: Design your Dream Home with the Click of a Mouse

CertainTeed created the ColorView tool to help homeowners bring their creative vision to reality.

Just look through a photo library of homes to choose one that looks most like your own. Then click on the roof to easily switch designs and see what CertainTeed product looks best. You can choose from hundreds of different roofing design and color combinations, and even add roof accents in different colors. All before anyone raises a hammer.

Want to visualize different roofing styles on your own home? You can upload photos to ColorView and have them digitally masked by one of our design professionals, or use DIY mode to upload and mask your own photos.

Plus, you can print or share your ColorView photos with family and friends to get their feedback. Visit [colorview.certainteed.com](http://colorview.certainteed.com) and get started.





## Add a Little Accent to Your Roof

The visually impactful choice for capping the hips and ridges of your roof, CertainTeed's Cedar Crest® accessory shingles will complement or match any shingle in the Landmark Series. For a low-profile hip and ridge look, CertainTeed also offers Shadow Ridge® accessory shingles. Also available in **ClimateFlex** version.

## Color Companion Products for Flat Roof Areas

With CertainTeed Flintlastic® SA, you can coordinate flat roof areas like carports, canopies and porches with your main roof. Flintlastic SA is a self-adhering low slope roofing product available in ten colors that complement some of the most popular CertainTeed shingles.





# Integrity Roof System™

A COMPLETE APPROACH TO LONG LASTING BEAUTY AND PERFORMANCE



With as much care as you take in selecting the right contractor, choosing the right roof system is equally as important. A CertainTeed Integrity Roof System combines key elements that help ensure you have a well-built roof for long-lasting performance.

## 1. Waterproofing Underlayment

The first step in your defense against the elements. Self-adhering underlayment is installed at vulnerable areas of your roof to help prevent leaks from wind-driven rain and ice dams.

## 2. Water-Resistant Underlayment

Provides a protective layer over the roof deck and acts as a secondary barrier against leaks.

## 3. Starter Shingles

Starter Shingles are the first course of shingles that are installed and designed to work in tandem with the roof shingles above for optimal shingle sealing and performance.

## 4. Shingles

Choose from a variety of Good-Better-Best styles to complement any roof design and fit your budget.

## 5. Ventilation

A roof that breathes is shown to perform better and last longer. Ridge Vents, in combination with Intake Vents, allow air to flow on the underside of your roof deck, keeping the attic cooler in the summer and drier in the winter.

## 6. Hip & Ridge Caps

Available in numerous profiles, these accessories are used on the roof's hip and ridge lines for a distinctive finishing touch to your new roof.

learn more at:

[certainteed.com/roofing](https://certainteed.com/roofing)

Landmark® Series  
available in  
areas shown



CertainTeed

Ceilings • Gypsum • Insulation • Roofing • Siding • Trim

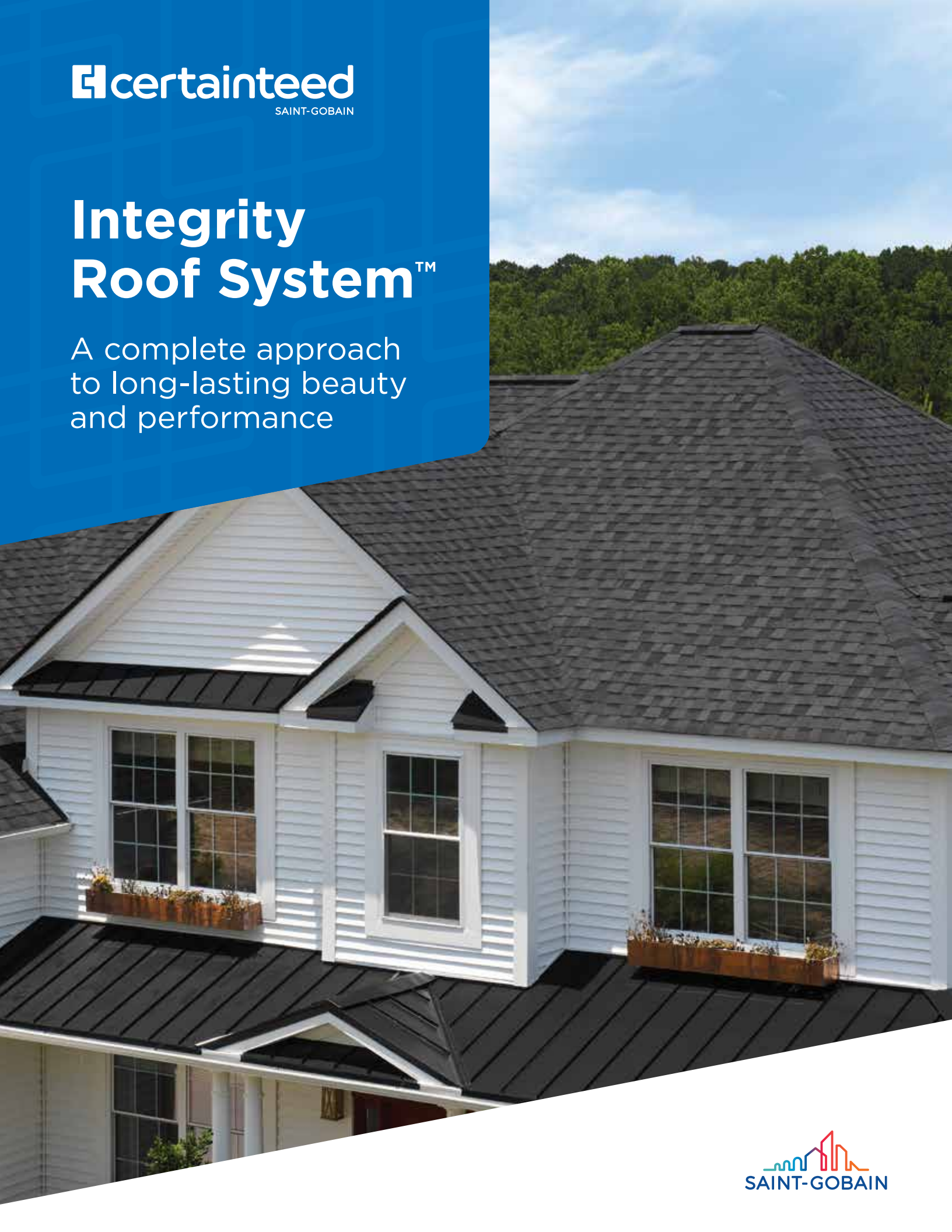
20 Moores Road, Malvern, PA 19355 | 800-233-8990 | [certainteed.com](https://certainteed.com)

©01/25 CertainTeed, Printed in the USA, Code No. 00-00-138-US-EN

 certainteed  
SAINT-GOBAIN

# Integrity Roof System™

A complete approach  
to long-lasting beauty  
and performance



  
SAINT-GOBAIN

# The System Works

Benefits of the CertainTeed Integrity Roof System™





# Insist upon the Integrity Roof System™ and get the ultimate in roof performance!

With as much care as you take in selecting the right contractor, choosing the right roof system is equally as important. A CertainTeed Integrity Roof System™ combines key elements that help ensure you have a well-built roof for long-lasting performance.

It all starts with CertainTeed's broad line of shingles, featuring brilliant color blends, dramatic styles and shadow lines, and the strongest warranties in the industry. The right shingle can mean the difference between an average, everyday look or a beautiful roof that's the talk of the neighborhood.

Shingles are just the beginning — to keep your new roof performing and looking great for years to come it takes a complete CertainTeed Integrity Roof System approach.

## 1. Waterproofing Underlayment

The first step in your defense against the elements. Self-adhering underlayment is installed at vulnerable areas of your roof to help prevent leaks from wind-driven rain and ice dams.\*

## 2. Water-Resistant Underlayment

Provides a protective layer over the roof deck and acts as a secondary barrier against leaks.

## 3. Starter Shingles

Starter Shingles are the first course of shingles that are installed and designed to work in tandem with the roof shingles above for optimal shingle sealing and performance.

## 4. Shingles

Choose from a variety of Good-Better-Best styles to complement any roof design and fit your budget.

## 5. Ventilation

A roof that breathes is shown to perform better and last longer. Ridge Vents, in combination with CertainTeed Intake Vents or Soffit Vents, allow air to flow on the underside of your roof deck, keeping the attic cooler in the summer and drier in the winter.

## 6. Hip & Ridge Caps

Available in numerous profiles, these accessories are used on the roof's hip and ridge lines for a distinctive finishing touch to your new roof.

## Low-Slope Sections

CertainTeed Flintlastic® and SMARTCOAT™ roofing products are also available for low-slope roof areas.



\* Waterproofing Underlayment is not typically applied at the eaves in climate areas not prone to snow and ice.





# Products that perform.

CertainTeed has all of the products you need to make the Integrity Roof System™ work for you. From the edges to the hips and ridges. From the underlayment to the finished surface. CertainTeed products work together to help ensure your roof system performs at the highest level.

## Waterproofing Underlayment

WinterGuard® Series  
DryRoof® SA  
GRACE VYCOR® Series

## Water-Resistant Underlayment

DiamondDeck®  
RoofRunner®  
RoofRunner® AIR

## Starter Shingles

SwiftStart®  
High-Performance Starter  
Presidential® Starter

## Shingles

A wide variety of styles to fit any home, covered by the strongest warranty in the business.

## Hip & Ridge Caps

Shadow Ridge®  
CedarCrest®  
Mountain Ridge®  
Shangle® Ridge

## Ventilation

CertainTeed® Ridge Vent  
CertainTeed® Rolled Ridge Vent  
CertainTeed Intake Vent  
CertainTeed Soffit Vent

Some products are region-specific.

learn more at:

[certainteed.com/roofing](https://certainteed.com/roofing)



### CertainTeed

Ceilings • Gypsum • Insulation • Roofing • Siding • Trim  
20 Moores Road, Malvern, PA 19355 | 800-233-8990 | [certainteed.com](https://certainteed.com)

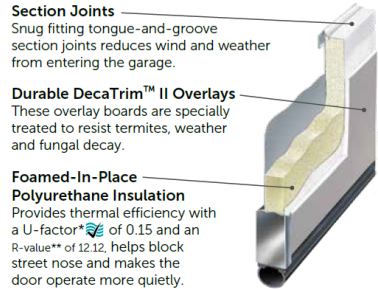
©01/25 CertainTeed, Printed in the USA, Code No. 13-00-1916-NA-EN

# Garage Door Specifications



## MODEL 8600 (Formerly Model 6600)

### DOOR FEATURES



**Section Joints**  
Snug fitting tongue-and-groove section joints reduces wind and weather from entering the garage.

**Durable DecaTrim™ II Overlays**  
These overlay boards are specially treated to resist termites, weather and fungal decay.

**Foamed-In-Place Polyurethane Insulation**  
Provides thermal efficiency with a U-factor\* of 0.15 and an R-value\*\* of 12.12, helps block street noise and makes the door operate more quietly.

\*U-factor is independently tested and verified per ANSI/DASMA 105 using solid doors and specific product sizes.  
\*\*Wayne Dalton uses a calculated door section R-value for our insulated doors.

**High Cycle Spring Option**  
Choose a 25,000 cycle spring for more than twice the life of a standard torsion spring.

**Heavy Duty Hinges**  
Attractive 14-gauge heavy duty hinges provide maximum strength between sections, stability and smoother door operation.

**Quiet Rollers**  
Ball-bearing rollers with nylon wheels and solid steel shafts provide years of smooth, quiet and dependable service.

**Wind Load Options**  
Available with hardware and reinforcements to comply with building codes in regions with high winds.

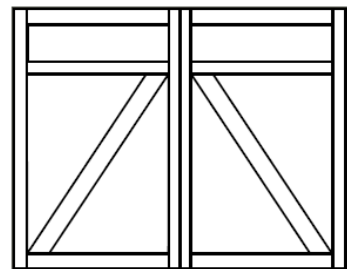
**Limited Lifetime Warranty**



### Routed windows



Stockbridge

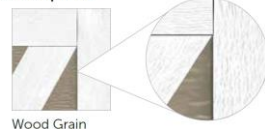


Springfield



White/White  
Garage doors to be painted, per Color Collection Packages

### DecaTrim™ II Overlay Texture Options



Wood Grain

## MODEL 9100

## Classic Steel

- Steel panels with distinctive designs
- Foamed-in-place polyurethane insulation
- U-factor\* = 0.26
- R-value\*\* = 9

- Pinch-resistant door panels
- Limited Lifetime Warranty

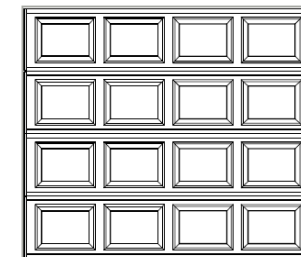
MODEL	DOOR WIDTH UP TO	WIND SPEED / DESIGN PRESSURE MPH <sup>1</sup> / MPH <sup>2</sup> / PSF DESIGN PRESSURE	IMPACT RESISTANT	GLASS AVAILABLE	
				STANDARD	IMPACT
Model 9100	16'	100 - 175 mph <sup>1</sup> / 120 - 210 mph <sup>2</sup> / (+12.70/-14.40) - (+39.20/-43.70)	YES <sup>3</sup>	SHORT WINDOW/ LONG WINDOW <sup>3</sup>	SHORT WINDOW/ LONG WINDOW <sup>3</sup>



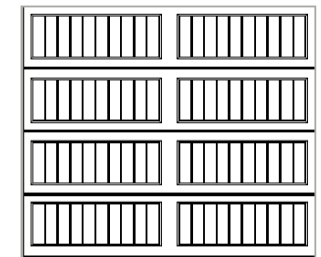
Clear Short



Stockton Short



Short Panel



Vertical Long Panel



White



White

Garage doors to be painted, per Color Collection Packages

# MESA

**STANDARD MODEL INCLUDES:**

- 8 pitch roof
- Western red cedar timbers (also available in white pine)
- Solid cedar 8" X 8" posts (no wire chase)
- 4" X 10" beams – 4" X 6" rafters
- 2" X 6" tongue-and-groove pine sheathing
- 12" eave overhang
- 16" gable overhang



*(Shown above): White pine*

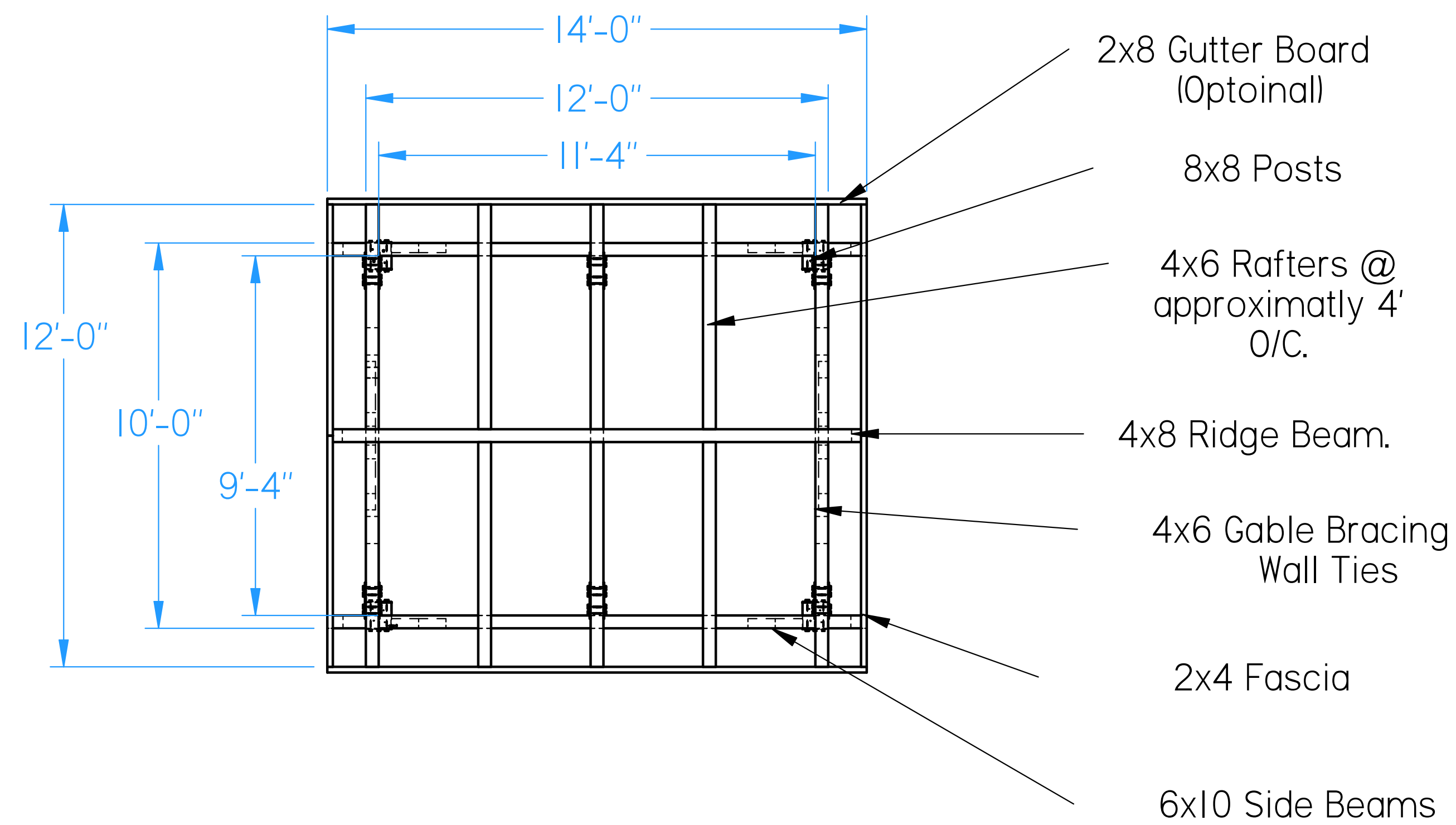


**Mesa Pavilion  
10x12**

DRAWN BY: Wayne.B

DATE:8/8/2024

PROJECT:  
Mesa Pavilion.dft



FLOOR PLAN

Design Complies with Ohio Residential Code 2019 and The Ohio Building Code 2017  
Structural Design Based On ASCE 7 - 10  
Snow Load:  
Ground Snow Load = 20 Psf  
Snow Exposure Factor For Terrain Category B = 1.0  
Unbalanced Snow Load, Does Not Apply  
Roof LL = 2- psf  
Roof DL = 10 psf

Wind Load:  
Basic Wind Speed = 115 MPH  
Wind Pressure For Exposure B Per Table  
Importance Factor For Category II = 1.0

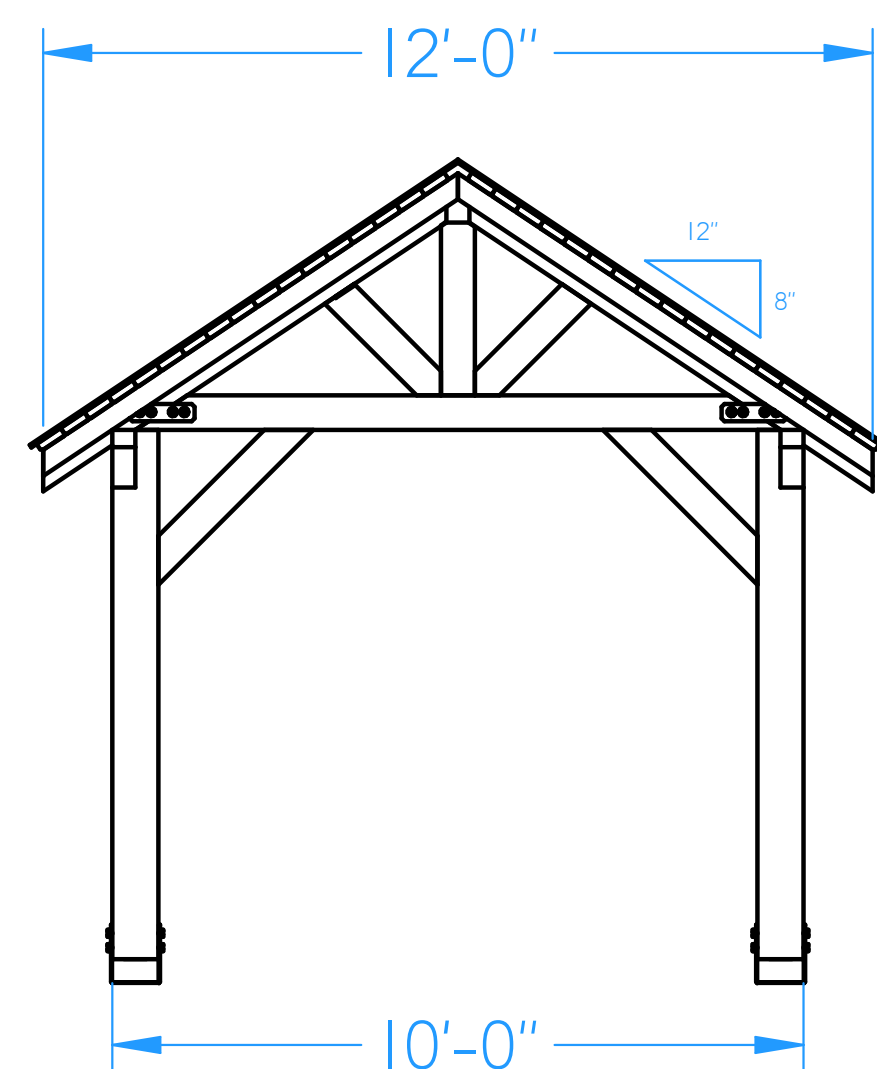
SEISMIC DESIGN

S5 = 15  
SI = 6  
Site Class = D  
Designed Using Simplified Lateral Force Analysis Procedures.  
F = 1.0  
Fa = 1.4  
Sds = 1.0  
R = 7

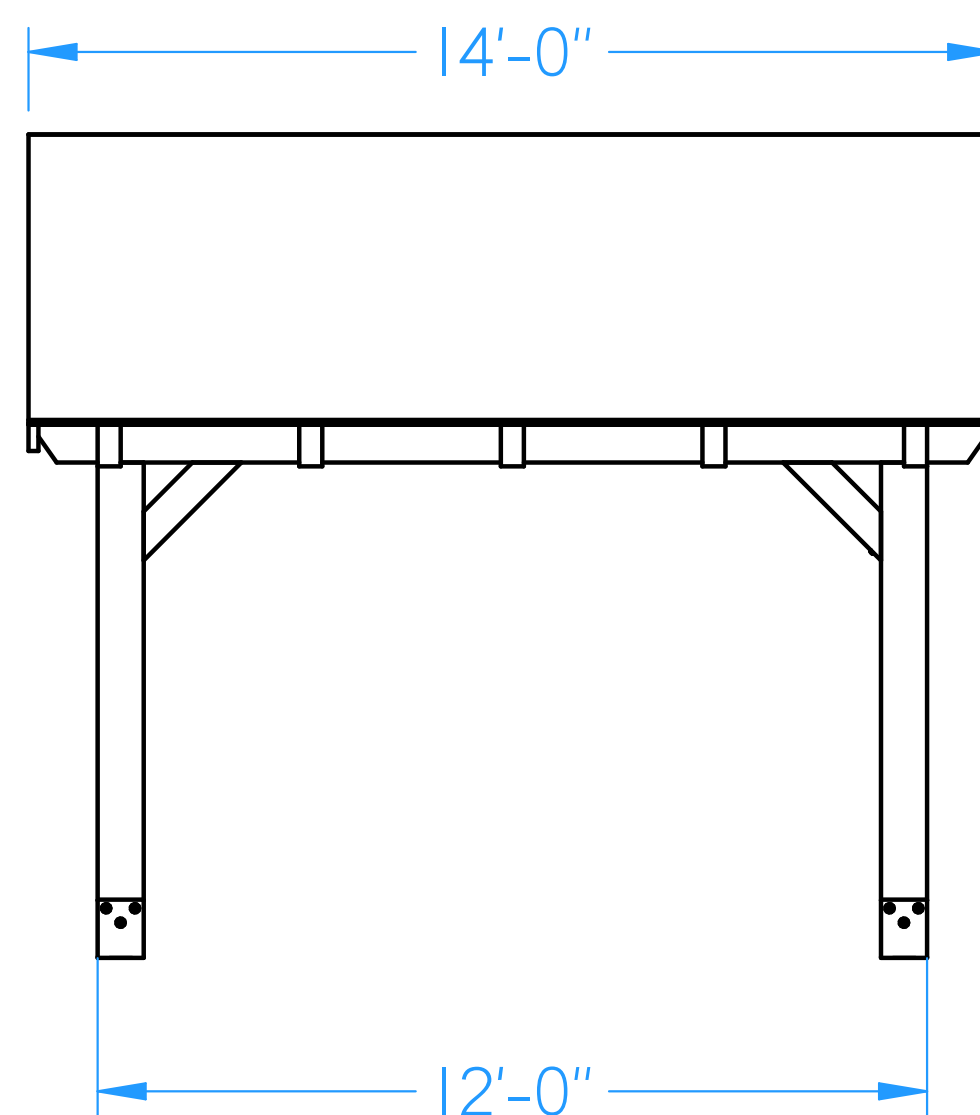
STRUCTURAL PLANS ONLY.  
OTHERS RESPONSIBLE FOR MEETING ALL OTHER STATE AND LOCAL REQUIREMENTS AND REQUIRED SUBMITTAL

All materials, rough sawn Eastern White Pine #2 or better grade unless noted otherwise.

All fasteners are Big Timber WTX or BTX Construction screws at length and diameter specified W/ Coating approved for use in Preservative Treated Wood unless noted otherwise.



END ELEVATION



SIDE ELEVATION

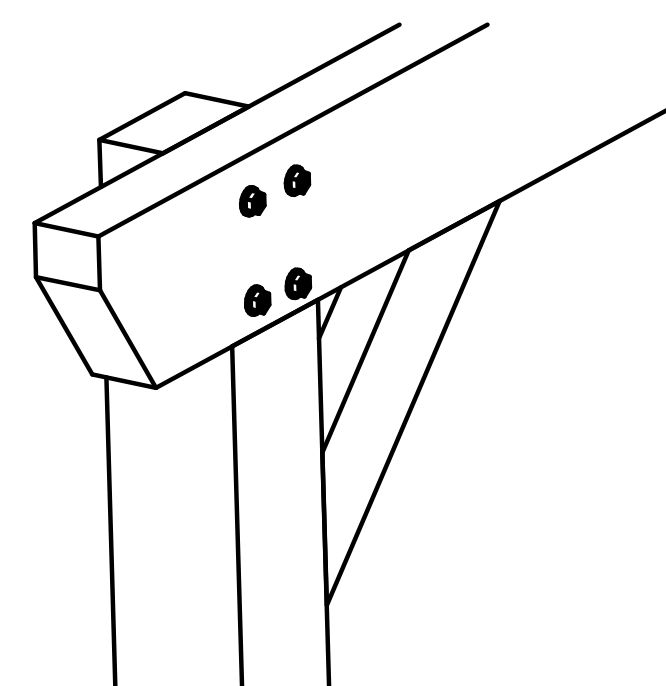
**Mesa Pavilion  
10x12**

DRAWN BY: Wayne.B

DATE:8/8/2024

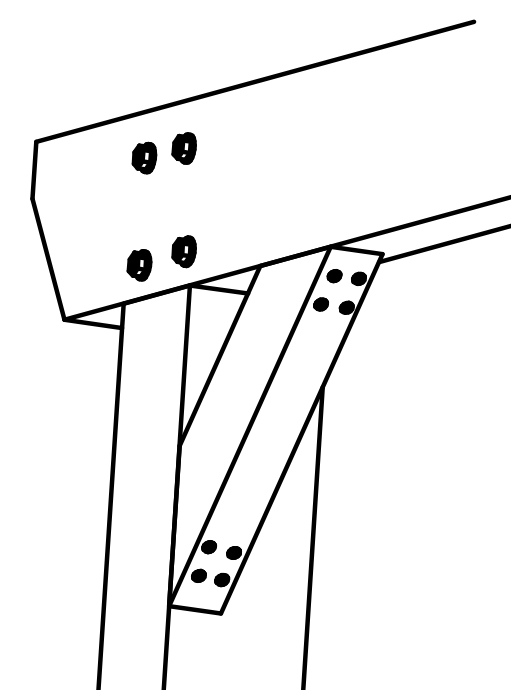
PROJECT:  
Mesa Pavilion.dft

Beams set on notched posts, Beams fastened to posts w/ 5/16" x 6" lags



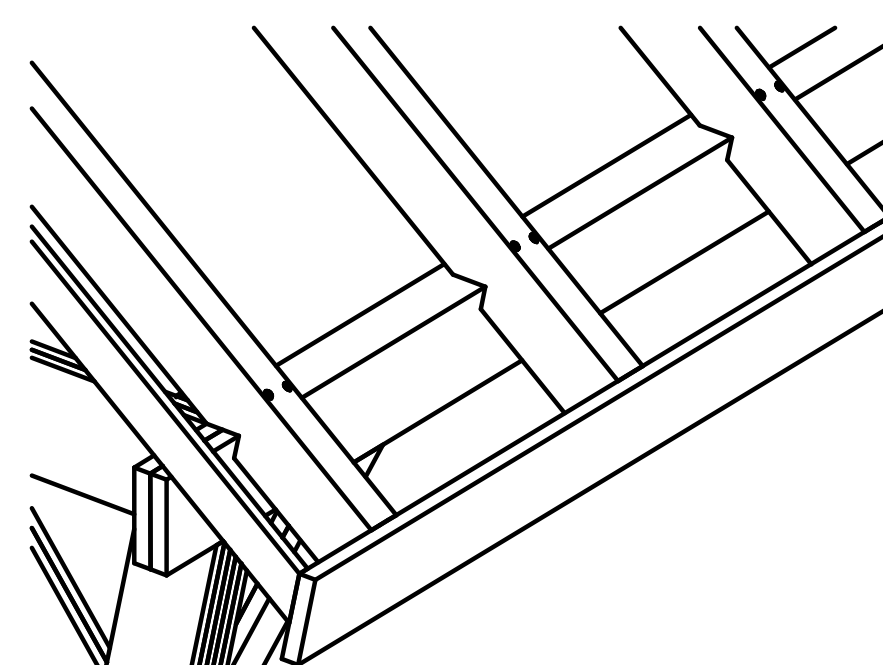
BEAM / POST CONNECTION

Braces fastened w/ (2) 5/16 x 5" & (2) 5/16 x 6" lags each end.



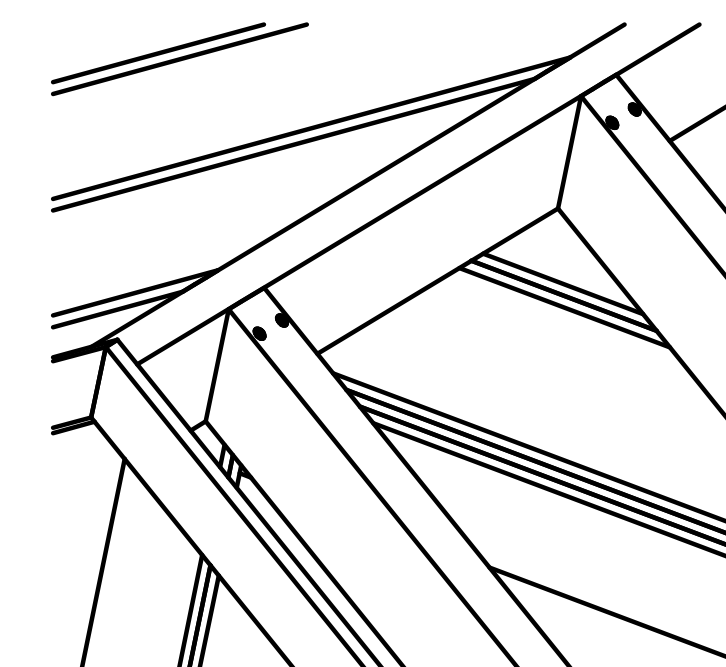
BRACE CONNECTION

Rafters fastened to Beam w/ (2) 5/16 x 8" lags per rafter.



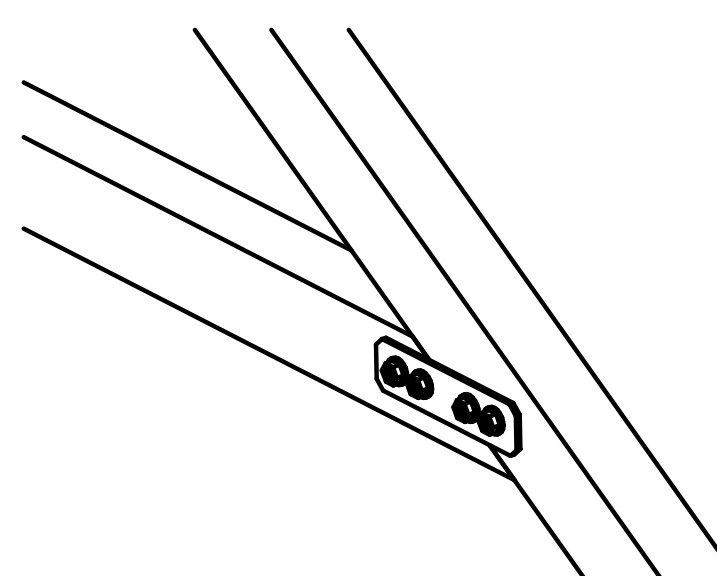
RAFTER / BEAM CONNECTION

Rafters fastened to Ridge Beam w/ (2) 5/16 x 6" lags per rafter.



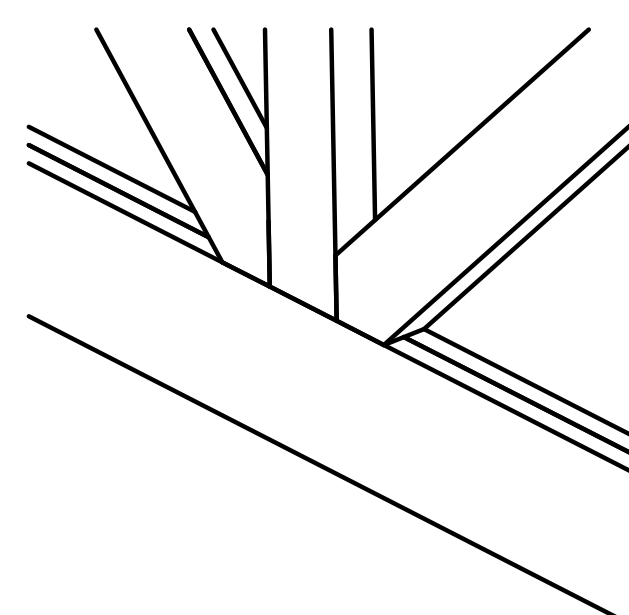
RAFTER / RIDGE BEAM CONNECTION

Collar Ties fastened to Rafter w/ Simpson metal bracket & (4) 5/16 x 3 1/2" lags each side of each end.



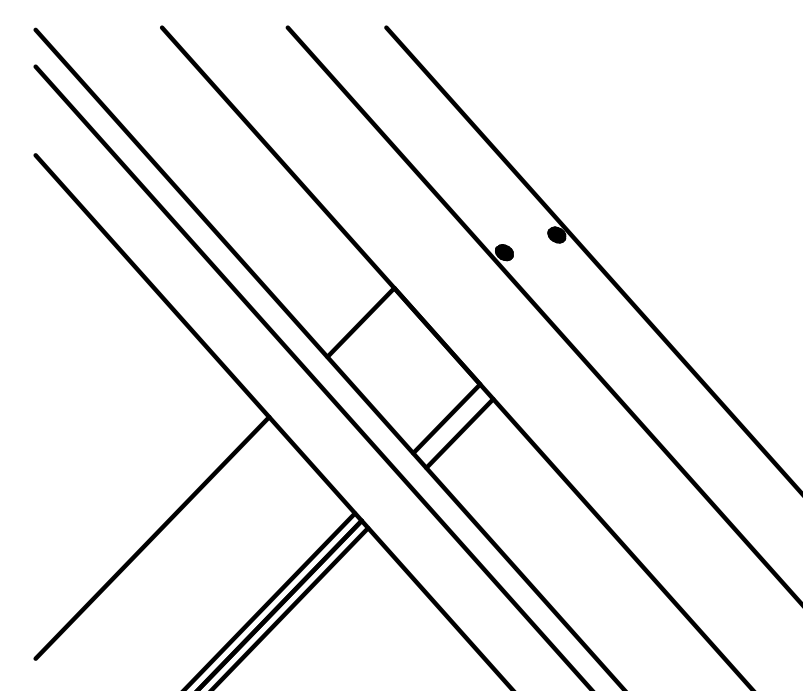
COLLAR TIE CONNECTION

Gable Bracing fastened to Beam w/ (1) 5/16 x 8" lag per brace



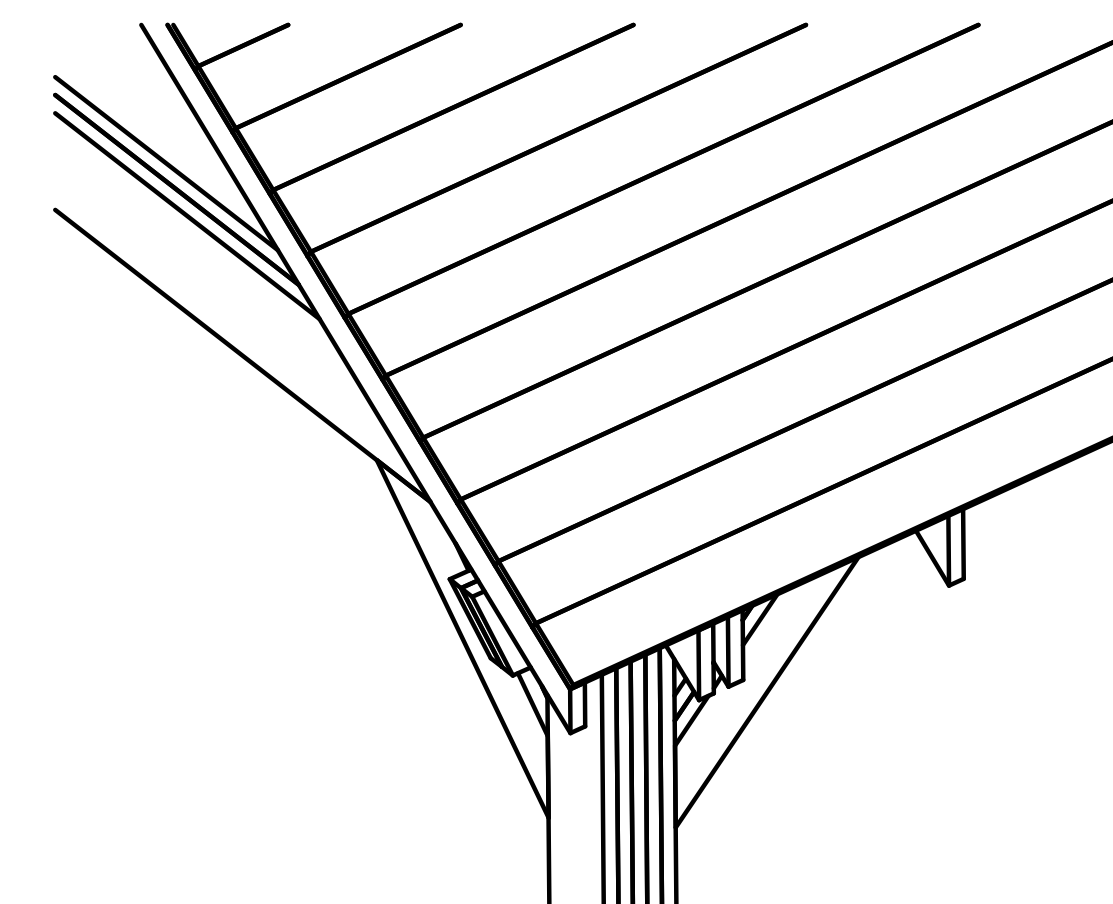
GABLE BRACING / BEAM CONNECTION

Gable Bracing fastened to Rafter w/ (2) 5/16 x 8" lag per brace



GABLE BRACING / END RAFTER CONNECTION

2x6 T&G SYP Roof Sheathing. Fastened w/ (2) #8 x 3" screws or nails per rafter.



ROOF SHEATHING CONNECTION

**GENERAL NOTES:**

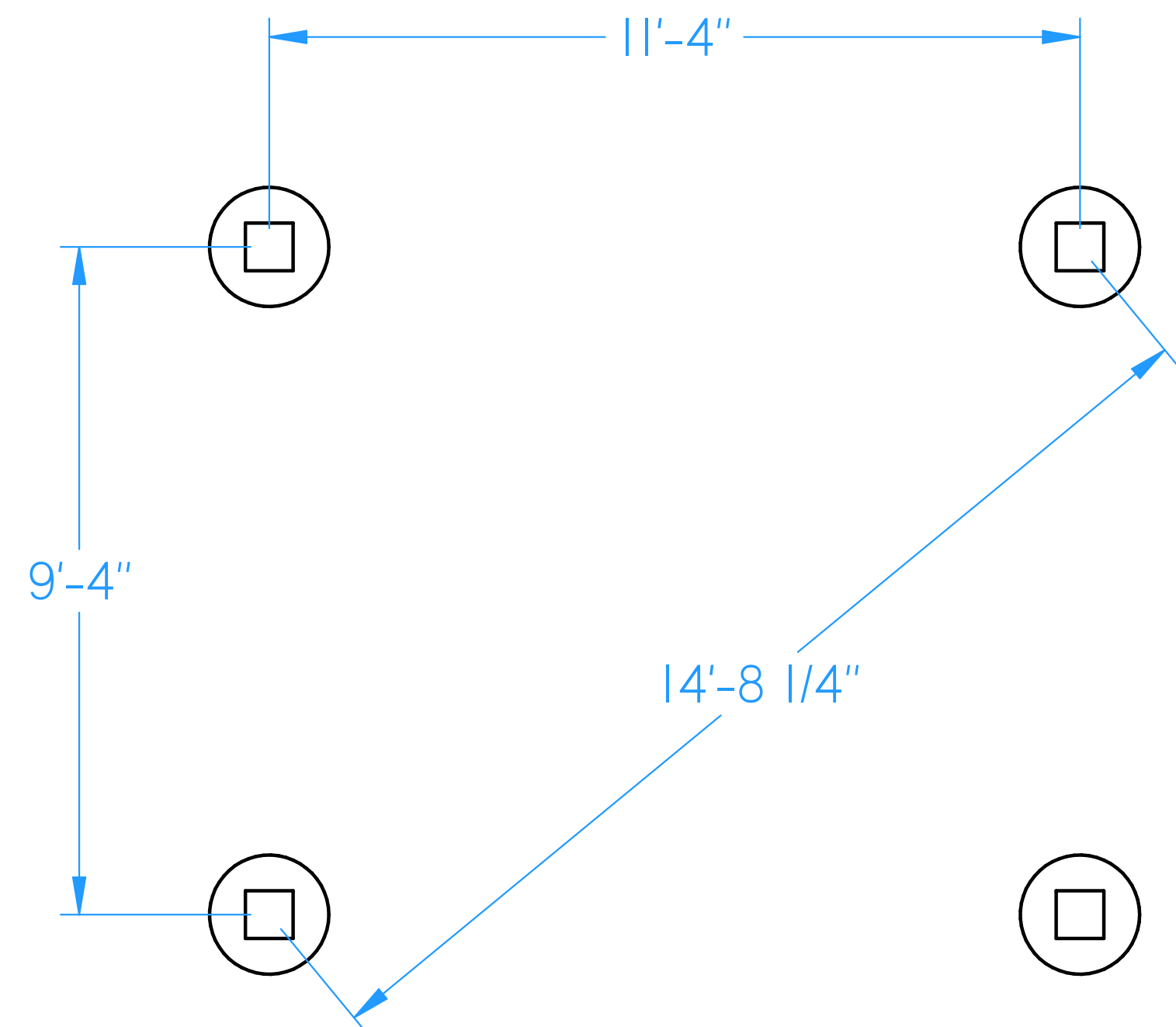
- FT Synthetics underlayment on top of roof sheathing.
- 30 Yr. asphalt shingles or 29 GA. painted steel roofing.

**Mesa Pavilion  
10x12**

DRAWN BY: Wayne.B

DATE:8/8/2024

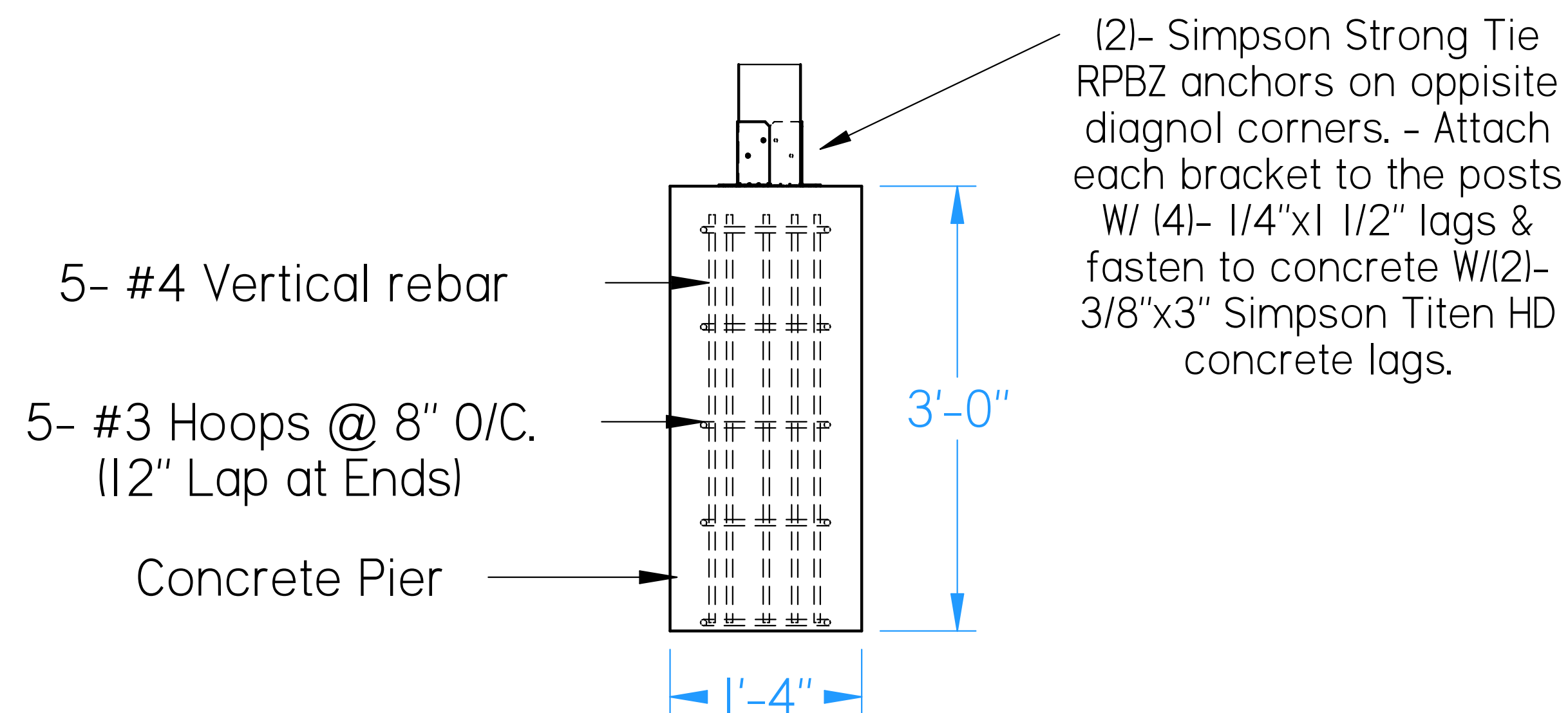
PROJECT:  
Mesa Pavilion.dft



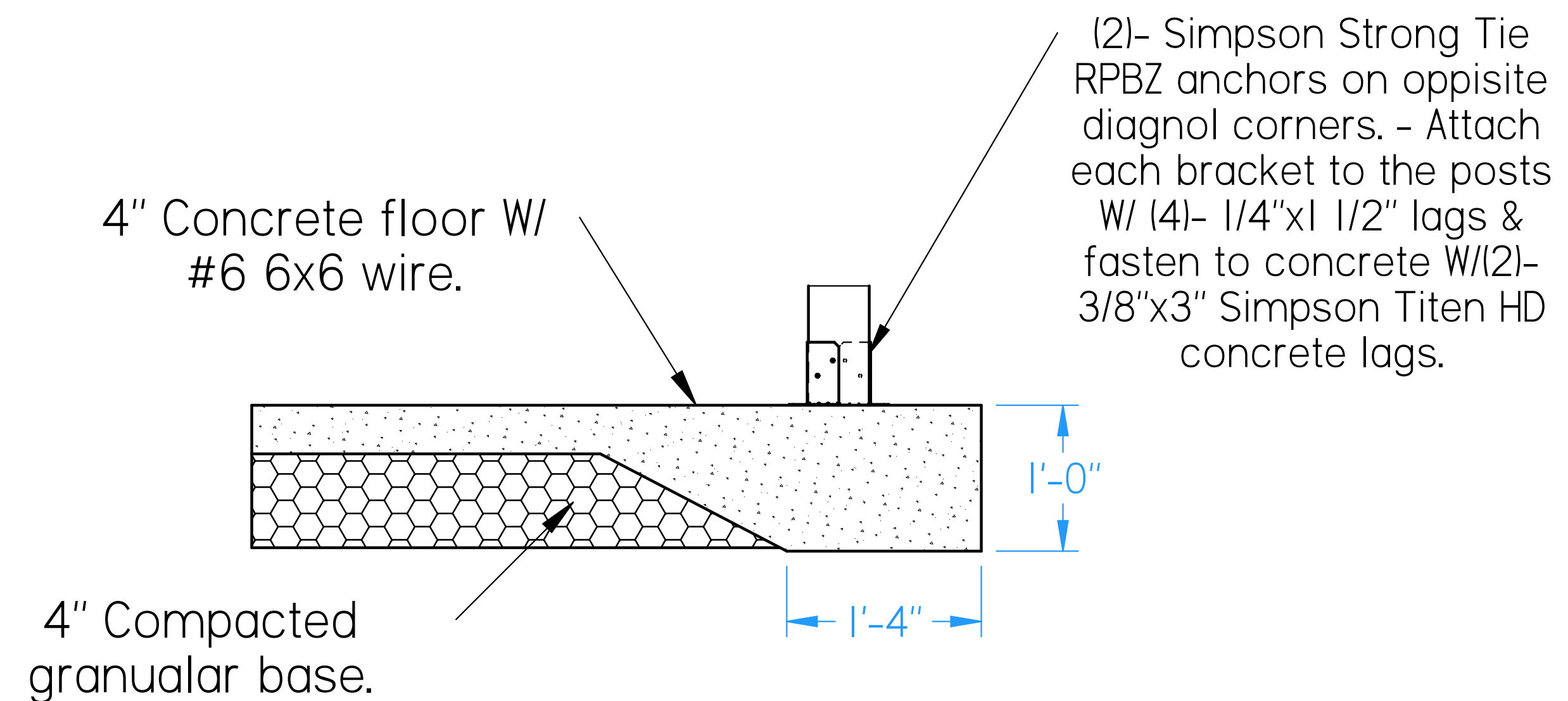
FOOTER LAYOUT

FOUNDATION NOTES:

- Concrete - 4,000 psi W/ 5-7% Air Entertainment



CONCRETE FOOTER DETAIL



CONCRETE SLAB DETAL

Mesa Pavilion  
10x12

DRAWN BY: Wayne.B

DATE:8/8/2024

PROJECT:  
Mesa Pavilion.dft