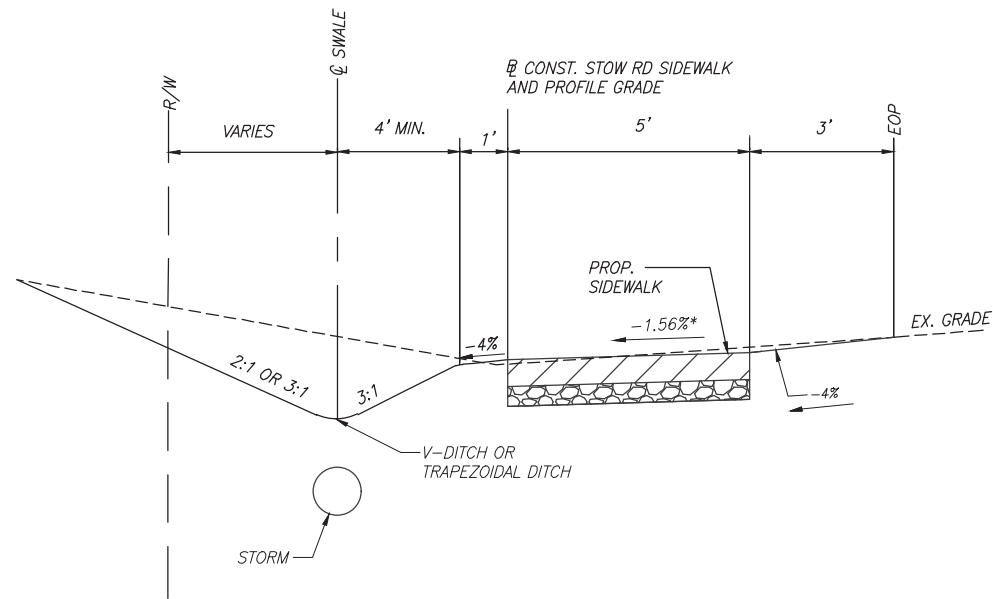


OPTION 1



OPTION 2

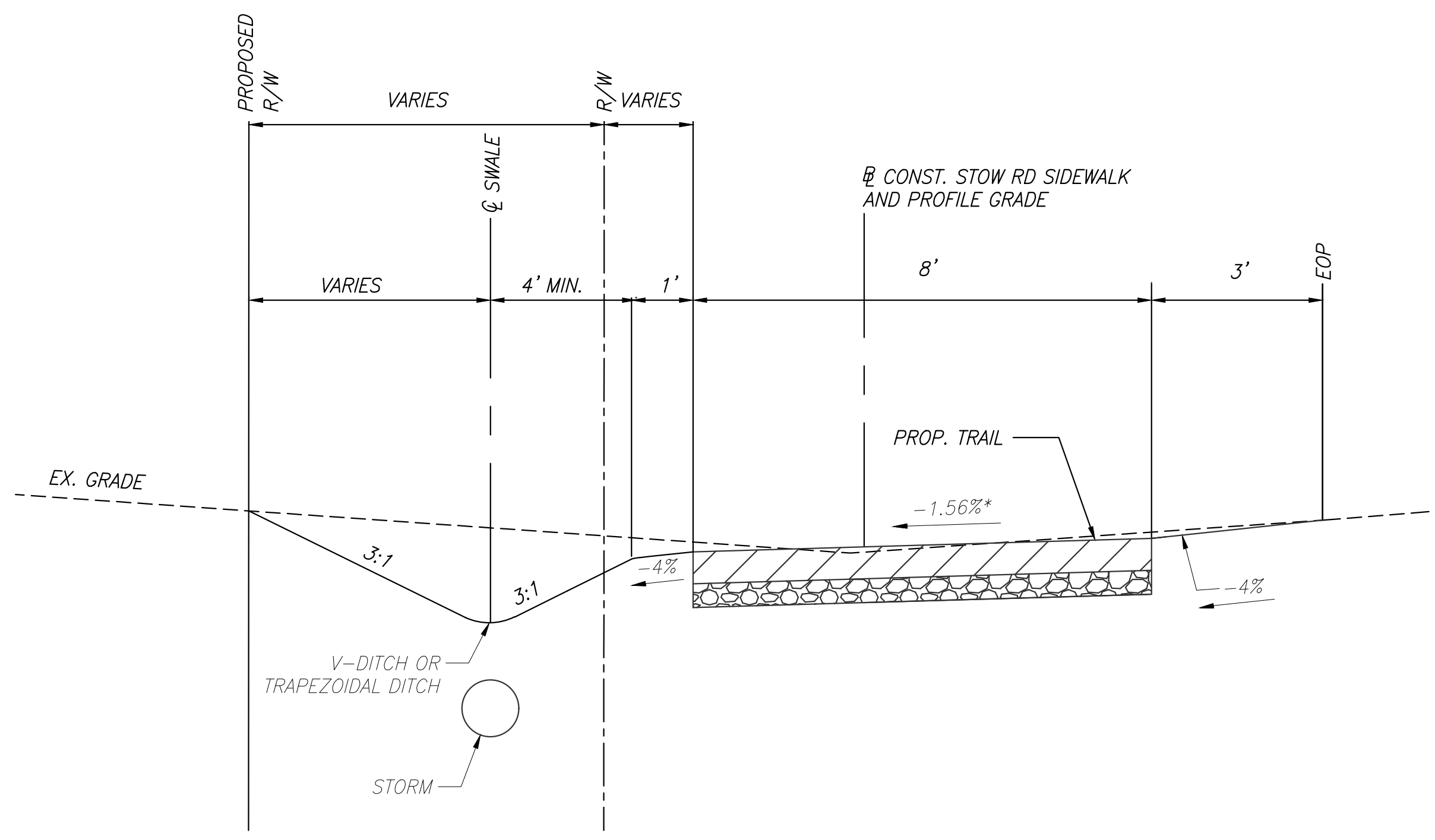
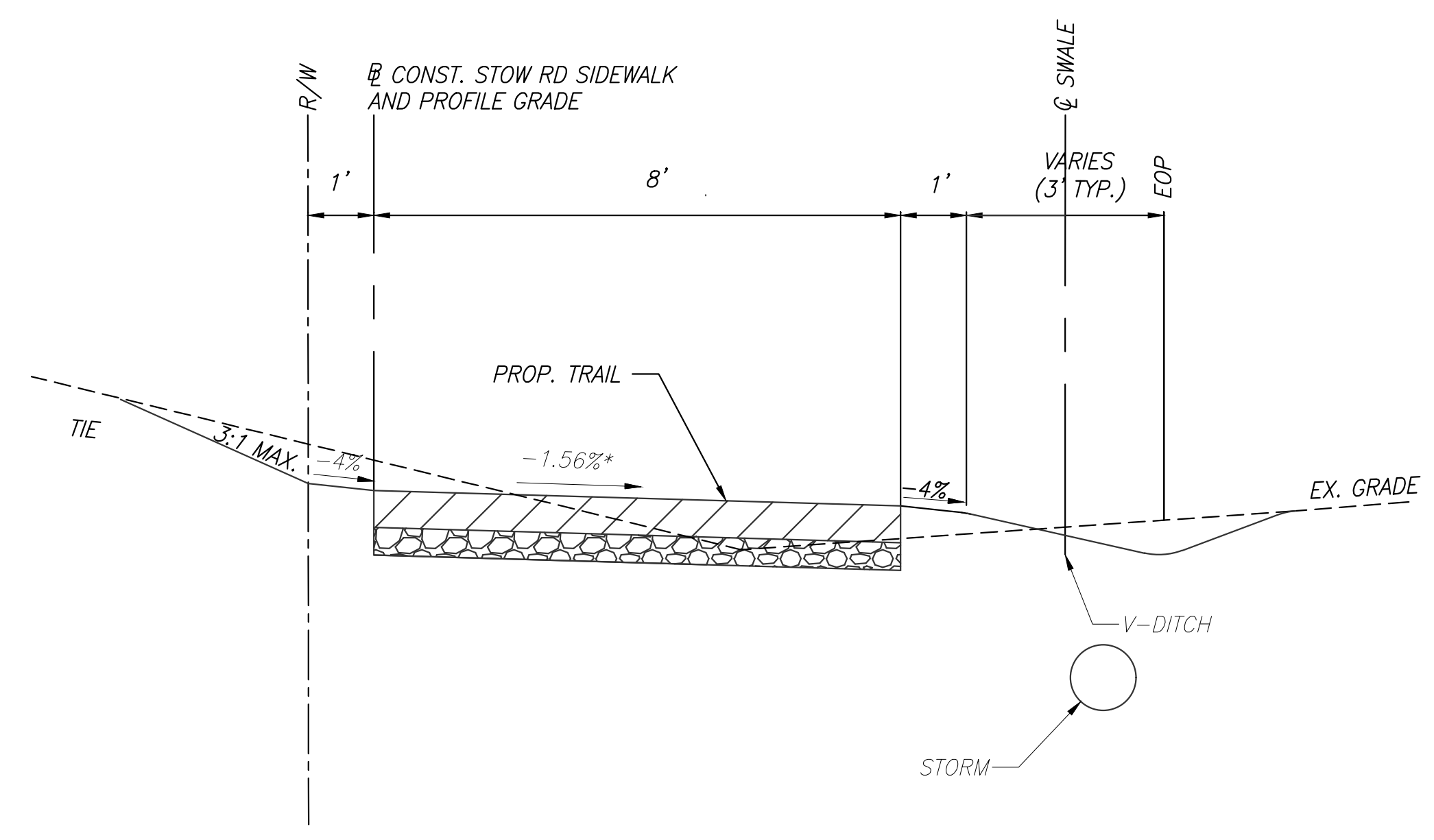
NO.	DATE	DRAWN BY:	CHECKED BY:	APPROVED BY:
REVISION RECORD				
No. and date of revision, name of person making revision, and description of changes.				

DRAWING TITLE	TYPICAL SECTIONS
PROJECT	CLIENT
STOW RD SIDEWALK IMPROVEMENTS CITY OF HUDSON SUMMIT COUNTY, OH	CITY OF HUDSON 1140 TEREK RD HUDSON, OH 44236
ISSUING OFFICE: Canton 53991 Leaky Road, Suite 120, North Canton, OH 44720	GAI DRAWING NUMBER:
ISSUING OFFICE: Canton 53991 Leaky Road, Suite 120, North Canton, OH 44720	ALT./CLIENT DRAWING NUMBER:
ISSUING OFFICE: Canton 53991 Leaky Road, Suite 120, North Canton, OH 44720	TYPICAL SECTIONS

DRAFT
DRAFT
DRAFT
DRAFT
DRAFT
DRAFT

© 2024 GAI Consultants

ISSUE DATE:	DRAWN BY:
08/01/2024	JES
SCALE:	CHECKED BY:
AS SHOWN	SEG
DWG TYPE:	APPROVED BY:
	ACR
REVISION	SHEET NO.:
	03 OF 25



NO.	DATE	DRAWN BY	CHECKED BY	REVISION RECORD	DESCRIPTION

DRAWING TITLE		TYPICAL SECTIONS - 8' PROPOSED TRAIL	
PROJECT		STOW RD SIDEWALK IMPROVEMENTS CITY OF HUDSON SUMMIT COUNTY, OH	
CLIENT		CITY OF HUDSON 1140 TEREX RD HUDSON, OH 44236	
GAI FILE NUMBER:		R240249.00	
ISSUING OFFICE:		Canton 5389 Leaky Road, Suite 120, North Canton, OH 44720	
ALT./CLIENT DRAWING NUMBER:			
GAI DRAWING NUMBER:		R240249.00	

DRAFT

© 2024 GAI Consultants

ISSUE DATE:	DRAWN BY:
08/01/2024	JES
SCALE:	CHECKED BY:
AS SHOWN	SEG
DWG TYPE:	APPROVED BY:
	ACR
REVISION	SHEET NO.:
	02 OF 02